

4100
PRINTER

Replacement Parts Catalog

COPYRIGHT © 1994, OUTPUT TECHNOLOGY CORPORATION

All rights reserved. This document may not, in whole or in part, be copied, photocopied, reproduced, translated, reduced to any electronic medium or machine readable form without prior consent, in writing, from Output Technology Corporation.

Output Technology Corporation
3808 North Sullivan Road, Building 3 — Spokane, WA 99216
(509) 536-0468

We suggest you use genuine Output Technology parts and authorized service centers. Contact us at —

(509) 536-0468 (Voice) or (509) 533-1280 (Fax)

If you prefer, you can also contact us at —

WWW: <http://www.output.com>

Part No: 066-00431-01
Rev. E

GENERAL

This catalog contains itemized lists of all servicing aids, supplies, expendables, and field replaceable parts for all models of the printer. Ordering information is provided for field replaceable units (FRUs). FRUs are illustrated at the end of this publication.

Parts are listed in the following tables —

- Customer Replaceable Units (CRUs) and Miscellaneous, Page 2
- Field Service Tools, Page 3
- Field Replaceable Units (FRUs), Page 4

FRU illustrated parts breakdown drawings —

- Enclosure, Page 7
- Base Assembly, Page 8
- Printer Mechanism, Page 9
- Carriage and Ribbon Drive Mechanism, Page 10
- Printhead Carriage, Page 11

ORDERING INFORMATION

To order a field replaceable unit (FRU), proceed as follows:

1. Find the appropriate FRU item number from the illustrations at the end of this publication.
2. From the FRU table on Page 4, match the FRU item number to the FRU part number.
3. Obtain the serial number of your printer (on the back of the printer).

4. If applicable, have your Visa or MasterCard number and expiration date ready, and then contact **Output Technology Corporation** by phone, fax, or mail:

3808 North Sullivan Road, Building 3
 Spokane, WA 99216
 Phone: (509) 536-0468
 Fax: (509) 533-1280

To order customer replaceable units (CRUs) or other miscellaneous items, select from the following table and then continue as directed in Step 4 above.

CUSTOMER REPLACEABLE UNITS (CRUs) AND MISCELLANEOUS

Part Number	Description	Qty Per Printer
Customer Replaceable Units (CRUs)		
020-00016-00	Cord, Power, International (240 V)	1
088-00001-00	Cord, Power, Domestic (120 V)	1
116-00021-00	Fuse, 3 z., Slow-Blow, 3AG	2 ¹
116-00022-00	Fuse, 1.6 a., Time-Delay, Metric	2 ²
8XXC100	Ribbon Cartridge, Black (3-Pack)	1
8XXC101	Ribbon Cartridge, Barcode (3-Pack)	1
8XXC102	Ribbon Cartridge, Indelible (3-Pack)	1
Training and Publications		
IMPACTCD100	Guide, Kwik Installation	1
	Guide, Operator's	1
	Manual, Parts Catalog	1
066-00430-00	Manual, Maintenance & Parts	N/A ³
066-00432-00	Manual, Drawing Set	N/A
066-00491-00	Supplement to 066-00430-XX	N/A
060-30013-01	Demonstration Box Generator	N/A
Shipping		
047-00028-01	Ship Kit	1 ⁴

¹ For use at 100 vac or 120 vac.

² For use at 220 vac or 240 vac.

³ Includes Maintenance Manual (066-00430-XX), Supplement (066-00491-XX), Replacement Parts Catalog (066-00431-XX), and Drawing Set (066-00432-XX).

⁴ Original shipping container or its replacement is required for proper shipment of printer.

FIELD SERVICE TOOLS (Recommended)

- Screwdrivers
 - 1/8" Straight slot
 - #1 Phillips
 - #2 Phillips with 8"-to-10" shaft, such as Xcelite part number XST-102
- Hex Allen wrench
 - 1/16", 5/64", 3/32", 7/64", 9/64", 5/32"
- 9/64" ball-end Allen wrench
- Open end wrenches or sockets
 - 3/16", 1/4", 5/16", 7/16", 1/2"
- 1/4" nutdriver
- Diagonal cutters
- Needle-nose pliers
- Utility knife
- C-ring and E-ring tools
- Feeler gauges
- Antistatic wrist strap and grounding lead
- IC extractor for socketed ICs

FIELD REPLACEABLE UNITS (FRUs)

Item	Figure	FRU Part No.	Description	Model	
				4140	4130
1	3a	001-00021-00	Shaft, Lower Carriage	●	●
2	3a	001-00022-01	Shaft, Tractor, 1/4"	●	●
3	3a	001-00027-02	Platen	●	●
4	4	001-00067-00	Shim, Printhead, .002"	●	●
5	4	001-00067-01	Shim, Printhead, .001"	●	●
5.6	4	001-00067-02	Shim, Printhead, .005"	●	●
5.7	4	001-00067-03	Shim, Printhead, .010"	●	●
6	3b	001-00381-01	Shaft, Carriage Idler Pulley	●	●
7	3a	001-00709-01	Shaft, Main Carriage	●	●
8	2	002-00010-06	Ribbon Guide, Left	●	●
9	2	002-00010-07	Ribbon Guide, Middle	●	●
10	2	002-00010-08	Ribbon Guide, Right	●	●
11	3a	002-00011-02	Bearing, Eccentric Crrg. Shaft	●	●
12	3a	002-00079-02	Lever, Head Adjust	●	●
13	4	002-00261-03	Bearing, Lower Carriage Shaft	●	●
13.3	3a	002-00518-01	Belt Clamp Bracket	●	●
13.7	3a	002-00519-02	Belt Clamp	●	●
14	1	002-00540-00	Access Door Pivot Hinge	●	●
15	1	009-00064-00	Window, Operator Access Door	●	●
16	2	020-00168-01	Parallel I/O Cable ⁵	●	●
17	3b	046-00045-00	Pivot Arm Assembly	●	●
18	1	021-00555-00	Enclosure Assembly	●	●
19	2,3a	021-00557-00	Mechanism	● ⁶	● ⁶
20	3a,4	021-00558-00	Head Carriage Assy, 80 Col	● ⁷	
21	1	021-00576-00	Interlock Switch Assembly	●	●
22	2	021-00580-01	Transformer, 36v/17v/9v	●	●
23	3a	021-00581-00	Paper Motion Sensor	●	●
24	3a	021-00582-00	Stepper Motor	●	●
25	2	021-00583-00	EMI Filter	●	●
26	3a	046-10310-00	Forms Comp/Pres Strip (5 pack)	●	●
27	3b	046-10410-00	Carriage Drive Motor	●	●

⁵ Required for serial/parallel port PCB 040-00162-00/01/02. Not required for 040-00162-03 because the cable is soldered-in.

FRUs (Continued)

Item	Figure	FRU Part No.	Description	Model	
				4140	4130
28	3a,4	021-00601-00	Head Carriage Assy, 132 Col		● ⁹
29	4	021-00602-00	Head Cable/Brkt Assy, 80 Col	● ⁸	
30	4	021-00603-00	Head Cable/Brkt Assy, 132 Col		● ⁸
31	3a	036-00037-00	Label, Head Gap Lever	●	●
33	2	040-00145-04	PCB, Main Logic (Version 1) ¹⁰	●	●
34	4	040-00159-00	PCB, Encoder	●	●
35	2	040-00162-03	PCB, Serial/Parallel Port ¹¹	●	●
35.5	1	040-00164-00	PCB, Keypad	●	●
35.7	2	046-00327-04	PCB, Main Logic (Version 2) ¹²	●	●
36	2	043-00346-16	EPROM Module V2.35	●	●
36.5	4	046-00118-00	Printhead	●	●
37	4	046-00345-00	Carriage Bearings (Complete) ¹³	●	●
38	3b	046-00857-00	Encoder Strip and Spring	●	●
39	4	046-00858-00	Carriage Bearings & Retainers ¹⁴	●	●
40	1	046-00859-00	Keypad Overlay	●	●
41	3a	046-00860-00	Tractors Kit	●	●
42	1	046-00861-00	Access Door Assembly	●	●
43	3b	046-00863-00	Idler Pulley Bracket Assembly	●	●

⁶ 021-00557-00 does not include Head Carriage Assy or Head Cable/Brkt Assy.

⁷ 021-00558-00 does not include 021-00602-00, Head Cable/Brkt Assy.

⁸ 021-00602-00, 021-00603-00 include 4 Cables, Bracket, and Clamp.

⁹ 021-00601-00 does not include 021-00603-00 Head Cable/Brkt Assy.

¹⁰ 040-00145-04 does not include the EPROM Module (043-00346-16).

¹¹ Do not use versions of 040-00162-00/01/02 which do not contain 25 ferrite beads (L1 through L25) along with main PCB 046-00327-04.

[040-00162-03 (or higher) or 040-00162-02 (with the ferrite beads) can be used with either version of the main PCB (040-00145-04 or 046-00327-04).] Note that 040-00162-03 (or higher) includes an integral cable for interconnection to the main PCB, whereas 040-00162-00/01/02 require a separate cable (020-00168-01).

¹² 046-00327-04 requires serial/parallel port PCB 040-00162-03 (or higher) or a version of 040-00162-02 which contains 25 ferrite beads (L1 through L25). (Note that, since serial/parallel port PCB 040-00162-03 includes an integral cable, you don't need cable 020-00168-01.) Also, main PCB 046-00327-04 does not include the EPROM Module (043-00346-16).

¹³ Includes 046-00858-00 along with 2 holders and most mounting hardware.

¹⁴ Includes 2 bearings, 2 felt washers, and 2 retainers. (Also, see 046-00345-00.)

FRUs (Continued)

Item	Figure	FRU Part No.	Description	Model	
				4140	4130
44	3a	082-00031-01	Belt, 93T Pull Tractor	●	●
45	3a	082-00035-00	Pulley, LF, 36T	●	●
46	3a	082-00036-01	Pulley, LF, 20T	●	●
47	3b	082-00327-01	Encoder Strip	●	●
48	3b	082-00328-00	Belt, Carriage	●	●
49	3b	082-00329-00	Pulley, Carriage, Idler, 20T	●	●
50	2	097-00018-00	Fuse Carrier, U.S.	● ¹⁵	● ¹⁵
51	2	097-00023-00	Fuse Carrier, International	● ¹⁶	● ¹⁶
52	1	097-00029-01	Switch, Interlock	●	●
53	2	097-00040-00	Dust Cover "D" Connector	●	●
54	3a	097-00041-00	Switch, Paper Out	●	●
55	2	097-00090-00	Power Switch	●	●
57	2	107-00080-00	Fan	●	●
58	2	110-00029-00	Rectifier, Bridge, 35 a.	●	●
59	2	116-00021-00	Fuse, 3 a., Slow Blow, 3AG	● ¹⁵	● ¹⁵
60	2	116-00022-00	Fuse, 1.6 a., Time-Delay, Metric	● ¹⁶	● ¹⁶

¹⁵ For use at 100 vac or 120 vac.

¹⁶ For use at 220 vac or 240 vac.

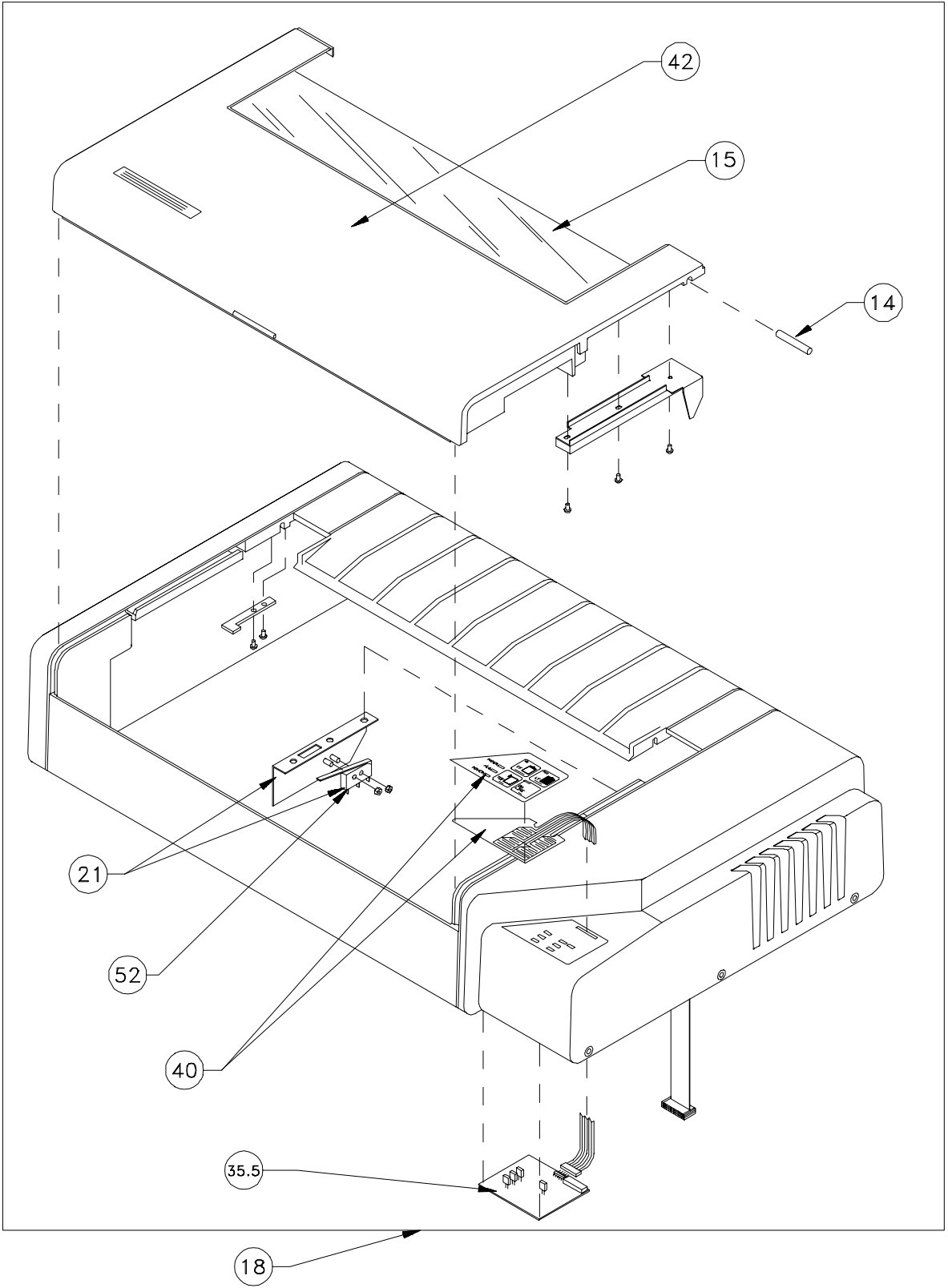
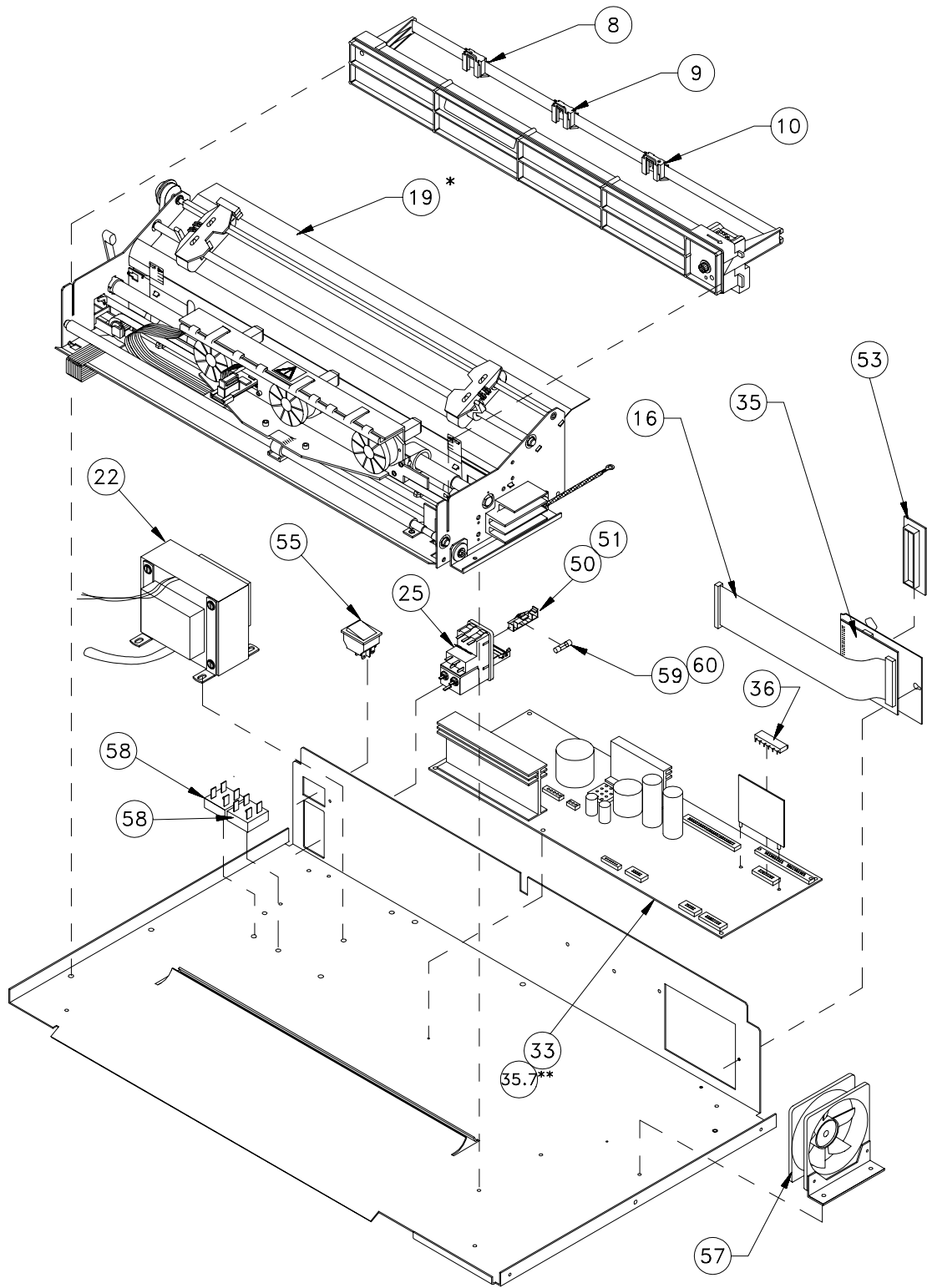


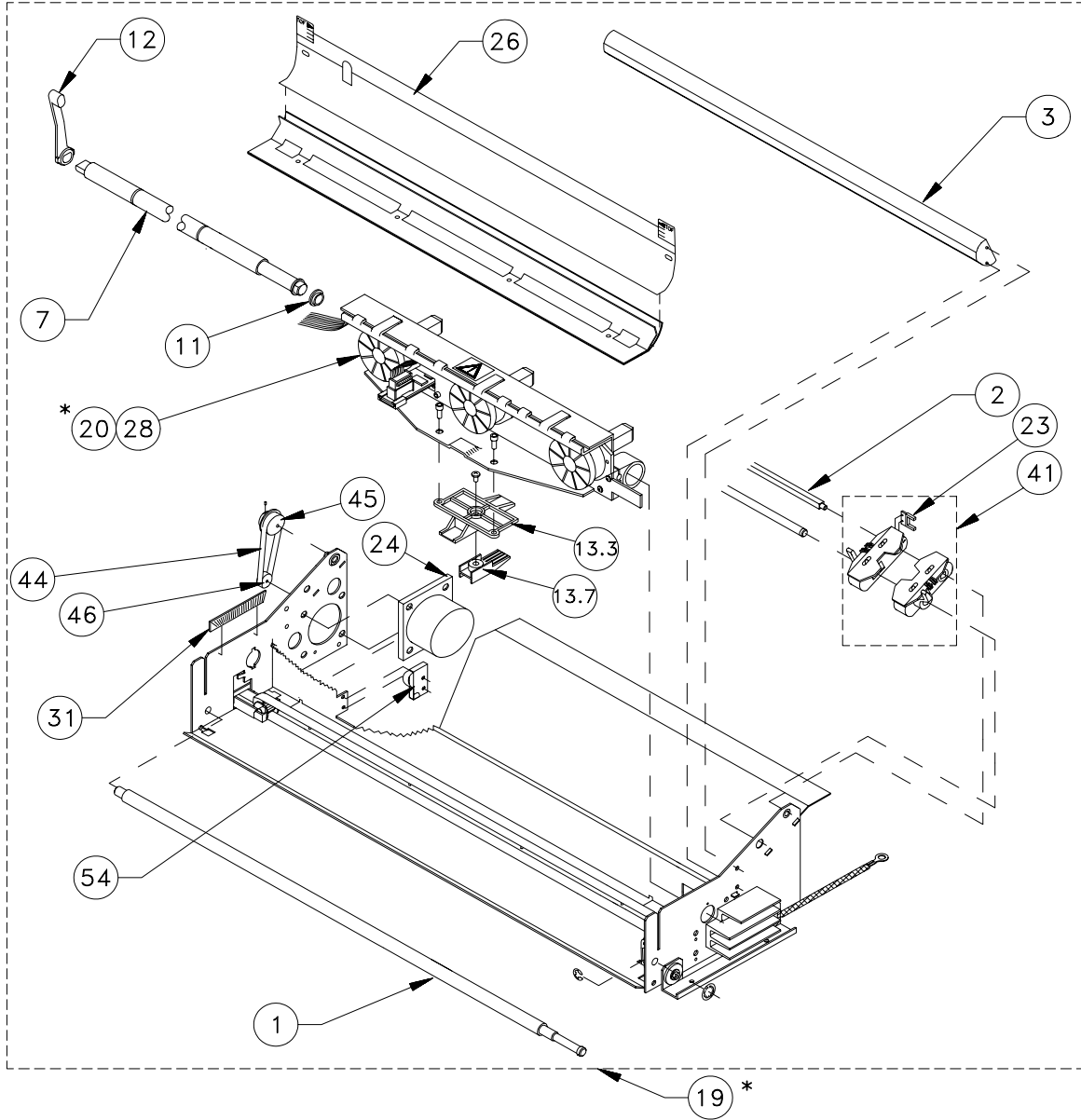
Figure 1. Enclosure



* Head Carriage Assembly not included in Mechanism Assembly.

** Illustration shows Item 33. Item 35.7 is similar.

Figure 2. Base Assembly



* Head Carriage Assembly not included in Mechanism Assembly.

Figure 3a. Printer Mechanism (Complete)

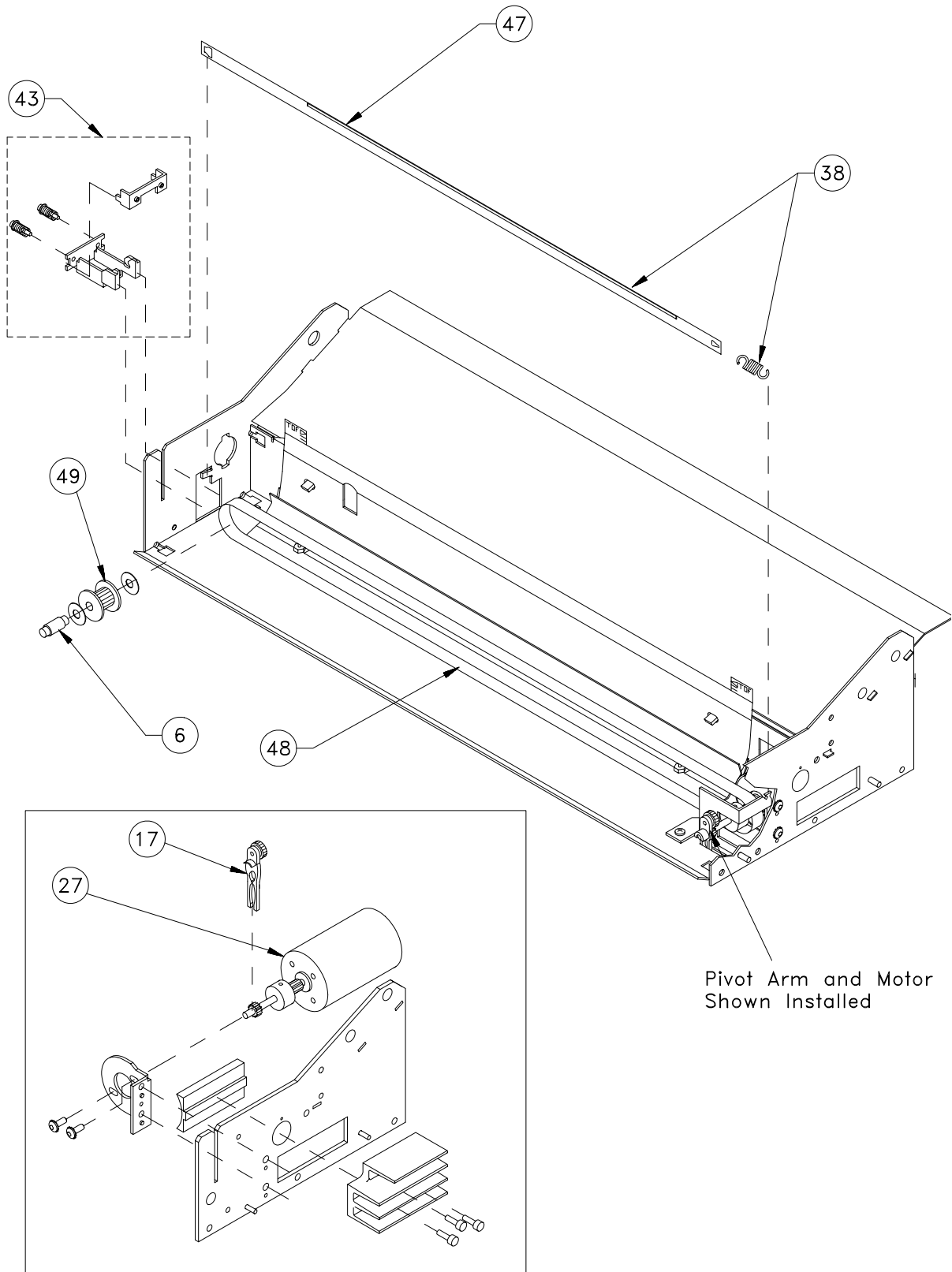
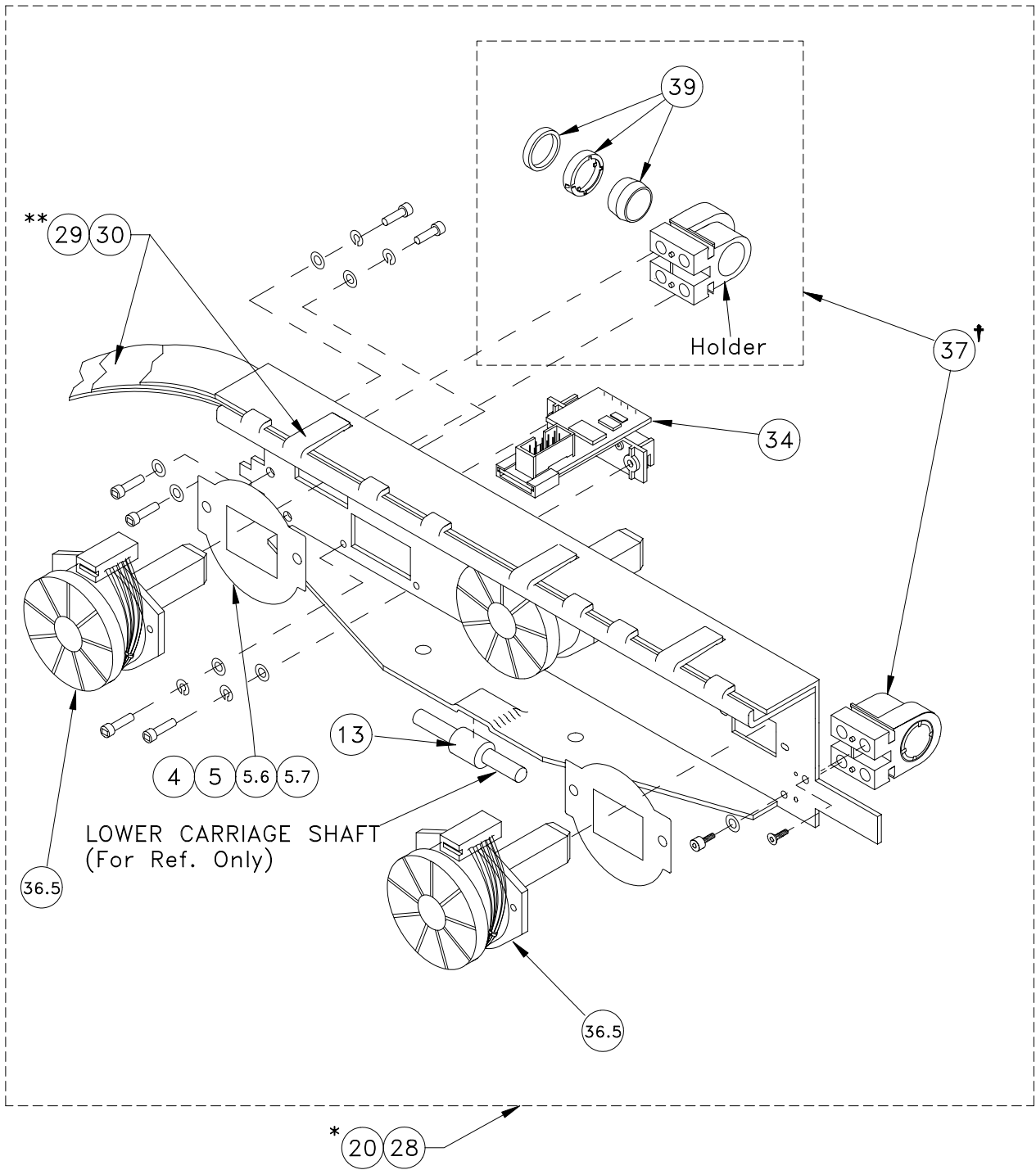


Figure 3b. Carriage and Ribbon Drive Mechanism



- * Head Carriage Assembly does not include Lower Carriage Bearing.
- ** Includes Printhead Cables, Encoder Cable, Cable Bracket and Clamp.
- † Includes most hardware for mounting bearing holders to frame of carriage.

Figure 4. Printhead Carriage