

***LaserMatrix<sup>®</sup>***  
***Table Top Stacker***  
*(Models LM1000A118 & LM2400A101)*

---

**Replacement Parts Catalog**

## **COPYRIGHT © 1994, OUTPUT TECHNOLOGY CORPORATION**

All rights reserved. This document may not, in whole or in part, be copied, photocopied, reproduced, translated, reduced to any electronic medium or machine readable form without prior consent, in writing, from Output Technology Corporation.

Output Technology Corporation  
2310 North Fancher Road  
Spokane, WA 99212-1381  
USA

We suggest you use genuine Output Technology Corporation supplies and authorized service centers. Contact us at —

(509) 536-0468 (Voice) or (509) 533-1280 (Fax)

For service, please have the serial numbers of your printer and LaserMatrix Stacker handy so that we can serve you more quickly.

Output Technology maintains a Bulletin Board System (BBS) service. In the U.S.A., call (509) 533-1217 to access our BBS service for the latest drivers, firmware, pricing, maintenance and troubleshooting aids, and application information. Also, you can contact us at —

FTP: [ftp.output.com/public/output](ftp://ftp.output.com/public/output)

WWW: <http://www.output.com>

Part No: 066-00467-02  
Rev. E

CTS 046-00886-00-3

## GENERAL

This catalog contains itemized lists of all field replaceable parts for the LaserMatrtix Models LM1000A118 & LM2400A101 Table Top Refolding Stacker. Ordering information is provided for field replaceable units (FRUs). FRUs are illustrated at the end of this publication.

## ORDERING INFORMATION

**To order a field replaceable unit (FRU), proceed as follows:**

1. Find the appropriate FRU item number from the illustrations in this publication.
2. From the FRU table on Page 5, match the FRU item number to the FRU part number.
3. Obtain the serial number of your stacker (along rim of refolding deck).
4. If applicable, have your Visa or MasterCard number and expiration date ready, and then contact **Output Technology Corporation** by phone, fax, or mail:

2310 North Fancher Road  
Spokane, WA 99212-1381  
Phone: (509) 536-0468  
Fax: (509) 533-1280

## FIELD SERVICE TOOLS (Recommended)

- Screwdrivers
  - 1/8" Straight slot
  - #1 Phillips
  - #2 Phillips
- Open end wrenches or sockets, 3/8"
- 3/8" nutdriver
- Diagonal cutters
- Needle-nose pliers
- Utility knife
- Cable ties

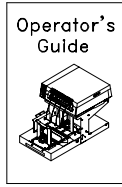
## ACCESSORIES & MISCELLANEOUS

Part No.	Description	Qty Per Assembly
<b>Standard Accessories (Figure 1)</b>		
001-00820-XX	Support, Wireform Paper Stack	1
001-00822-XX	Chute, Wireform Paper <sup>1</sup>	1
001-00825-XX	Guide, Paper	1
001-00826-XX	Bracket, Paper Chute <sup>1</sup>	1
020-00187-XX	Cable, Control, 16 PPM	1
020-00210-XX	Cable, Control, 24 PPM	1
066-00454-XX	Manual, Operator's Guide	1
LM1000CK100	Power Supply (120 vac, 60Hz)	1
<b>TÜV Accessories (International)</b>		
LM1000CK200	Power Supply (230 vac, 50Hz), Figure 2	
020-00016-XX	Adapter Cable for LM1000CK200 <sup>2</sup> , Figure 3	
<b>Miscellaneous</b>		
066-00467-XX	Manual, Replacement Parts Catalog	N/A
047-00030-XX	Ship Kit <sup>3</sup>	1

<sup>1</sup> The Paper Chute (001-00822-XX) and Paper Chute Bracket (001-00826-XX) are shipped pre-assembled.

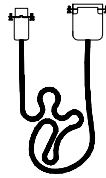
<sup>2</sup> Included in LM1000CK200. 020-00016-XX is a standard TÜV computer cable for use with 220/230 vac, 50/60Hz power sources.

<sup>3</sup> Original shipping container or its replacement is required for proper shipment of refolding stacker.



Operator's Guide

(066-00454-XX)



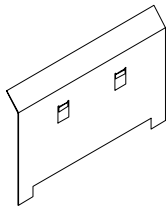
16 PPM Control Cable

(020-00187-XX)



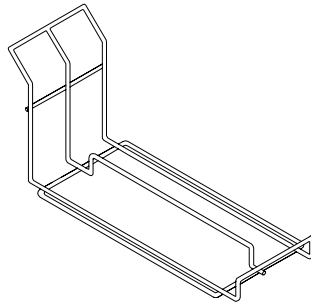
24 PPM Control Cable

(020-00210-XX)



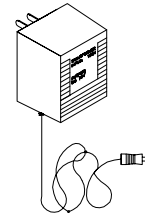
Paper Guide

(001-00825-XX)



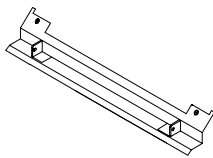
Paper Stack Support

(001-00820-XX)



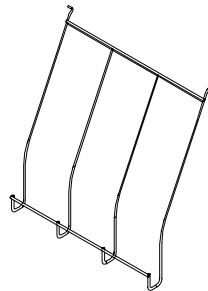
Power Supply

(LM1000CK100)



Paper Chute Bracket

(001-00826-XX)

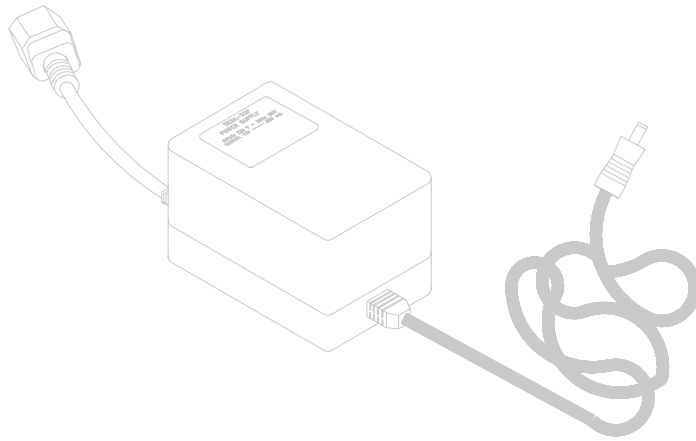


Paper Chute

(001-00822-XX)

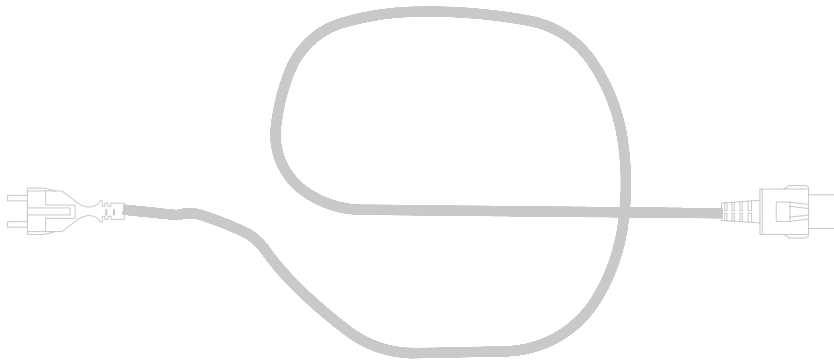
Figure 1. Standard Accessories

MD0-C1



**Figure 2. TÜV Power Supply (LM1000CK200)**

LD0-F



**Figure 3. Adapter Cable (020-00016-XX) Included with LM1000CK200**

LD0-I

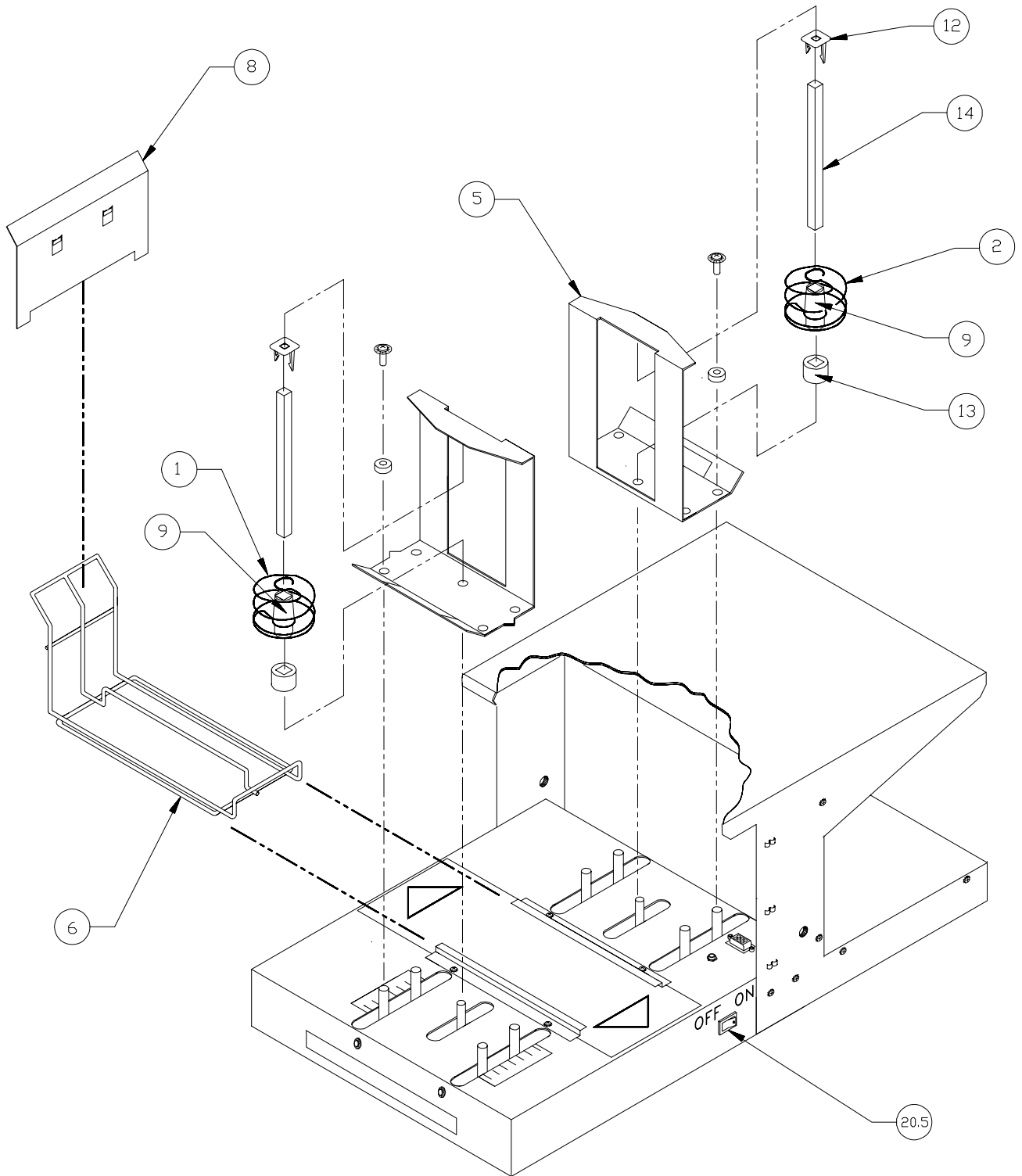
## FIELD REPLACEABLE UNITS (FRUs)

The following list of FRUs is illustrated in Figures 4 through 6.

Item	FRU Part No.	Description	Qty Per Assembly
1	001-00795-XX	Coil, Right Hand	1
2	001-00796-XX	Coil, Left Hand	1
3	001-00817-XX	Plate, Motor Mounting	2
4	001-00818-XX	Shaft, Adjust	2
5	001-00819-XX	Housing, Riser	2
6	001-00820-XX	Support, Wireform Paper Stack	1
7	001-00821-XX	Plate, Stacker Carrier	1
8	001-00825-XX	Guide, Paper	1
9	002-00548-XX	Bushing, Coil	2
10	002-00549-XX	Bearing, Refolding Adjust, Long	2
11	002-00559-XX	Bearing, Refolding Adjust, Short	2
12	002-00560-XX	Cap, Riser	2
13	002-00564-XX	Coupling, Motor Shaft	2
14	002-00568-XX	Riser Shaft	2
15	020-00183-XX	Cable Assy, Control <sup>4</sup>	1
17	020-00186-XX	Cable Assy, Motor	1
18	021-00617-XX	Baseplate Assembly	1
19	040-00166-00	PCB, Motor Control	1
20	040-00166-01	PCB, Motor Control	1
20.5	046-00346-XX	Switch & Cable Assembly, Power On Override	1
21	082-00343-XX	Gear, Rack	2
22	082-00386-XX	Gear, Pinion	1
24	107-00097-XX	Motor, Geared, 12 vdc (for coils) <sup>5</sup>	2

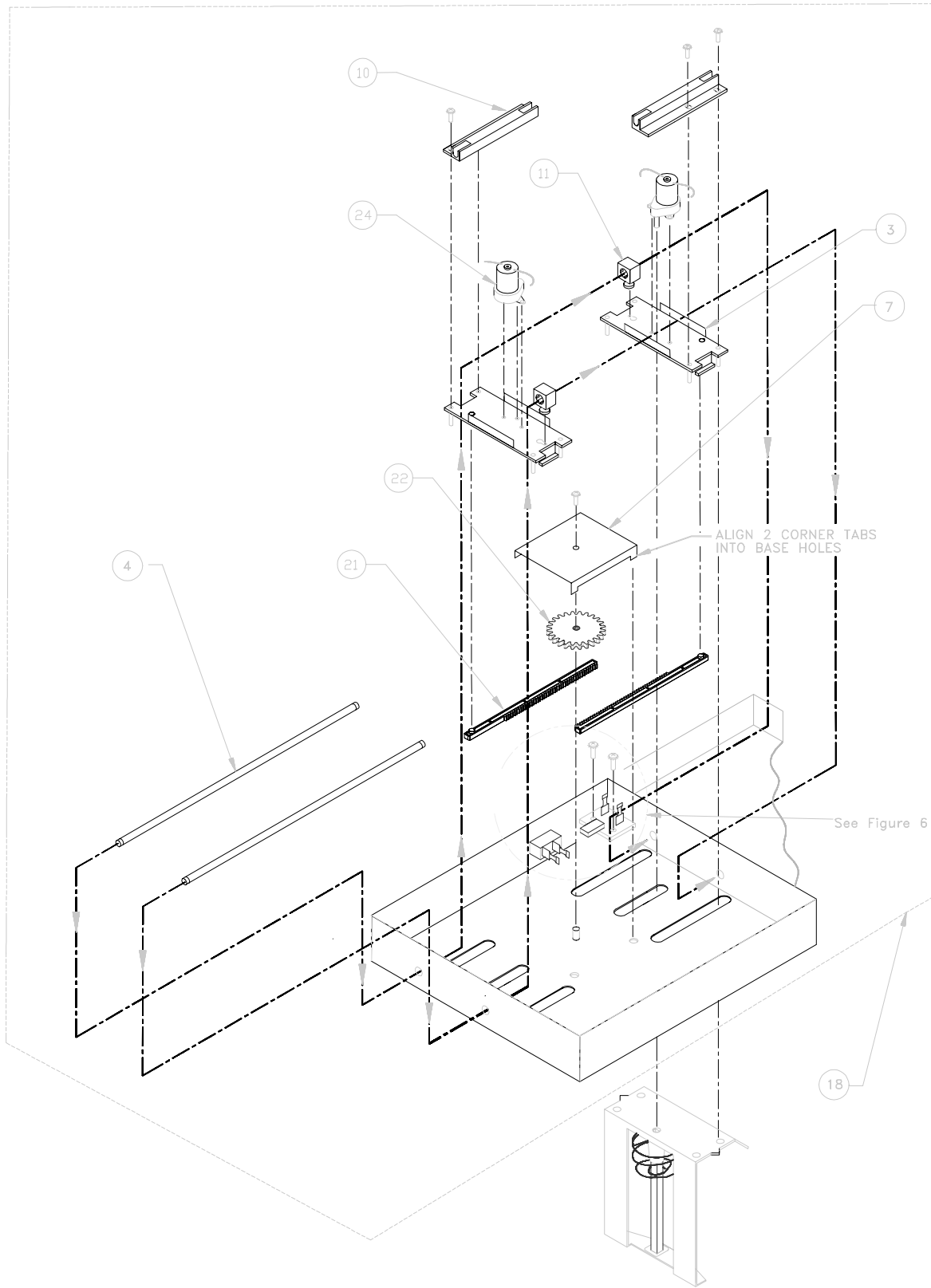
<sup>4</sup> Order Part No. 040-00166-01 or higher.

<sup>5</sup> Replace with Part No. 107-00094-XX.



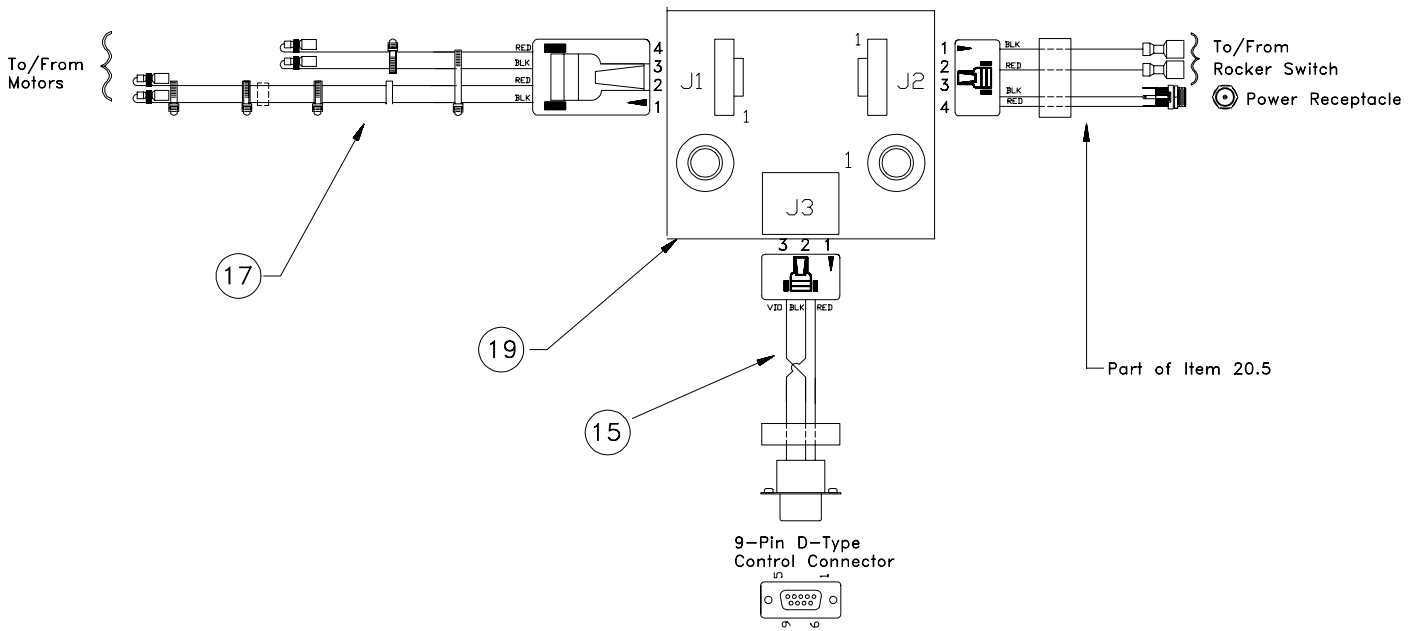
**Figure 4. Table Top Stacker (Top View)**

MD0-B2



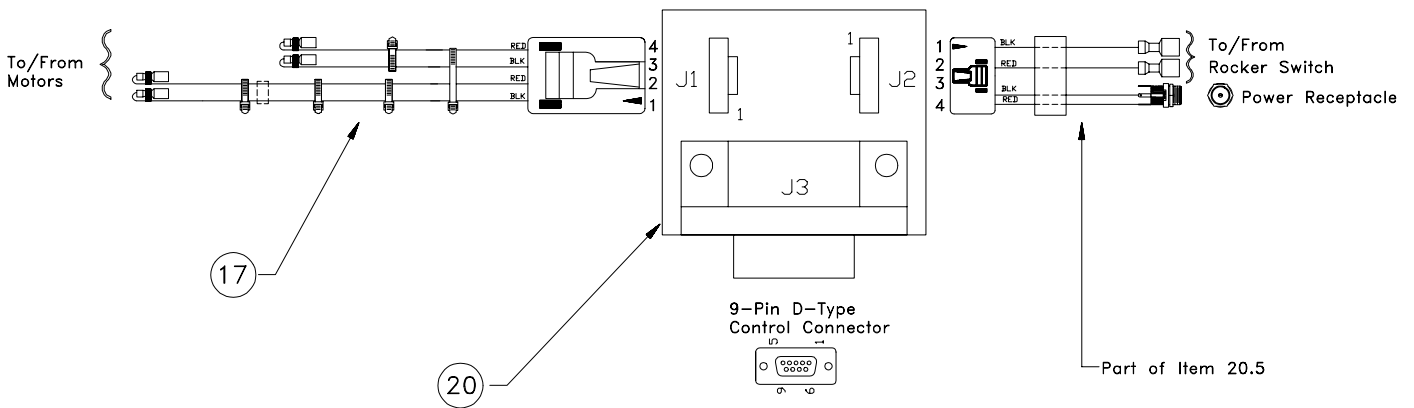
**Figure 5. Table Top Stacker (Bottom View)**

MD0-A1



**Figure 6a. Electronics (Old)**

MD0-E1



**Figure 6b. Electronics (New)**

MD0-D1