



# **LaserMatrix®**

**Models 5 & 6 Laser Printers**

---

**Replacement Parts Catalog**



## **COPYRIGHT © 1994, OUTPUT TECHNOLOGY CORPORATION**

All rights reserved. This document may not, in whole or in part, be copied, photocopied, reproduced, translated, reduced to any electronic medium or machine readable form without prior consent, in writing, from Output Technology Corporation.

## **TRADEMARKS**

**Xcelite** is a registered trademark of Cooper Industries.

Output Technology Corporation  
3808 North Sullivan Road — Spokane, WA 99216  
(509) 536-0468

We suggest you use genuine Output Technology parts and authorized service centers: Contact us at —

Voice: (509) 536-0468 — Fax: (509) 533-1280

WWW: <http://www.output.com>

Part No: 066-00441-01  
Rev. E

## GENERAL

This catalog contains itemized lists of all servicing aids, supplies, expendables, and field replaceable parts for all models of the printer. Ordering information is provided for field replaceable units (FRUs). FRUs are illustrated at the end of this publication.

Parts are listed in the following tables —

- n Customer Replaceable Units (CRUs) and Miscellaneous, Page 2
- n Field Service Tools, Page 3
- n Field Replaceable Units (FRUs), Page 4

FRU illustrated parts breakdown drawings —

- n Panels and Covers, Page 7
- n FRU Parts and Assemblies, Pages 8 and 10
- n Left Frame Assembly, Page 11
- n Low Voltage Power Supply, Page 12
- n Fuser Assembly, Page 13
- n Controller PCB, Page 14

## ORDERING INFORMATION

**To order a field replaceable unit (FRU), proceed as follows:**

1. Find the appropriate FRU item number from the illustrations at the end of this publication.
2. From the FRU table on Page 4, match the FRU item number to the FRU part number.
3. Obtain the serial number of your printer (on the back of the printer).

4. If applicable, have your Visa or MasterCard number and expiration date ready, and then contact **Output Technology Corporation** by phone, fax, or mail:

3808 North Sullivan Road, Building 3  
 Spokane, WA 99216  
 Phone: (509) 536-0468  
 Fax: (509) 533-1280

To order customer replaceable units (CRUs) or other miscellaneous items, select from the following table and then continue as directed in Step 4 above.

### CUSTOMER REPLACEABLE UNITS (CRUs) AND MISCELLANEOUS

Service Center Number	Supply Order Number	Description
<b>Customer Replaceable Units (CRUs)</b>		
—	LM1000C101	Developer Kit (supports 100K pages) (1) Developer Cartridge (supports 100K pages) (1) Tension Roller or Paper Brush (supports 100K pages) (1) Ozone Filter
—	LM2400C102	OPC Drum Kit (1) OPC Drum Cartridge (supports 20-25K pages)
—	LM1000C103	Toner Kit (supports 8K pages) (2) Toner Cartridges (supports 4K pages each) (2) Felt Cleaning Pads for Fuser (1) Waste Toner Bottle (supports 8K pages @5% fill)
—	LM1000C106	(10) Felt Cleaning Pads for Fuser
022-00113-00	—	Front Paper Guide (add-on feature)
022-00114-00	—	Cleaning Kit <sup>1</sup>
082-00312-00	—	Tension Roller (replaces paper brush)
<b>Training and Publications</b>		
—	LM1000M105	Manual, Maintenance, Models 5 and 6 <sup>2</sup>

<sup>1</sup> Contains wipes, swabs, corona wire brush, and instructions.

<sup>2</sup> Includes Maintenance Manual LM1000M105 and Parts Catalog 066-00441-XX.

Service Center Number	Supply Order Number	Description
Training and Publications (Continued)		
NON-IMPACTCD100		Manual, Operator's Guide, Models 5 and 6
		Manual, Installation Guide, Models 5 and 6
		Manual, Parts Catalog, Models 5 and 6
046-00207-00	—	Training Video
<b>Shipping</b>		
047-00014-00	—	Ship Kit
<b>Options, Upgrades, &amp; Rework</b>		
046-00276-00	—	Paper Guide Upgrade Kit <sup>3</sup>
046-00888-00	—	Thermistor Optional Mounting Kit <sup>4</sup>
046-00338-00	—	Fuser (120 v) with Right-End Thermistor Option
046-00341-00	—	Fuser (240 v) with Right-End Thermistor Option

## FIELD SERVICE TOOLS (Recommended)

- I Screwdrivers
  - Straight slot ( $\frac{1}{8}$ " to  $\frac{3}{16}$ " )
  - #1 Phillips
  - #2 Phillips
- I Hex Allen wrench, 2.5 mm
- I Nut driver,  $\frac{3}{16}$ "
- I Diagonal cutters
- I Needle nose pliers
- I Digital voltmeter
- I Toner vacuum cleaner<sup>5</sup>
- I Cleaning kit (022-00114-00). See "CRUs and Miscellaneous."

<sup>3</sup> Guide is included with new and rebuilt fusers.

<sup>4</sup> Kit contains a thermistor and other parts (including a procedure) for mounting the thermistor near the right end of the fuser roller.

<sup>5</sup> Such as 3M Model 497 (115 vac) with a standard toner filter.

## FIELD REPLACEABLE UNITS (FRUs)

Item	Figure	FRU Part No.	Description	Qty Per Printer
1	2	021-00237-00	Laser Scan Unit (LSU)	1
2	2	021-00238-00	Fan, LSU, W/Plenum	1
3	2	021-00239-00	Kypd, Control Panel <sup>6</sup>	1
4	1,3	021-00240-00	Base Pan <sup>7</sup>	1
5	2	021-00241-00	Main Drive <sup>8</sup>	1
		107-00047-00	Motor, Stepper (Included in Main Drive Assy) <sup>7</sup>	1
6	2,5	021-00242-01	Low Volt PWR Supply (120V) <sup>9</sup>	1
7	2,5	021-00243-01	Low Volt PWR Supply (240V) <sup>9</sup>	1
8	2	021-00244-00	High Volt PWR Supply	1
9	2	021-00245-00	Paper Guide Assembly	1
9.5	2	082-00390-00	Mylar Sheet Assy Kit	1
10	2	021-00246-00	Transfer Charger <sup>9</sup>	1
11	2	046-00283-00	Tractor W/Sensor and Brake	1
12	2	021-00248-00	Right Frame <sup>7</sup>	1
13	2,4	021-00249-00	Left Frame <sup>7,10</sup>	1
14	2	046-00338-00	Fuser (120 volt version) <sup>9,11</sup>	1
		046-00276-00	Paper Exit Guide	1
15	2	021-00252-00	Paper Sensor Arm <sup>7</sup>	1
16	2	021-00279-00	Slide Arm <sup>7</sup>	1
17	1	021-00280-00	Encl Release Button	1
18	2	046-00341-00	Fuser (240 volt version) (see Item 14) <sup>9,11</sup>	1
19	2	021-00492-00	Gears, Dev Dr	1
20	1	021-00305-00	Top Cvr, W/Release Button <sup>7,12</sup>	1
21	2	021-00306-01	Erase LED Array	1
22	1	021-00314-00	Left Encl, W/Mnt Brkt <sup>7</sup>	1
23	2	022-00107-00	Kit, Brake, Tractor <sup>7</sup>	1
24	4	040-00064-00	PCB, Paper/Toner Sensor	1

<sup>6</sup> Includes Item 52.

<sup>7</sup> Special order part.

<sup>8</sup> Includes Item 44.

<sup>9</sup> Can be repaired, rebuilt, or renewed by factory. (includes item 71)

<sup>10</sup> See detail of Item 13 in Figure 4.

<sup>11</sup> Includes a paper exit guide 046-00276-XX and Items 30 and 36.

<sup>12</sup> See Item 17 for Release Button only.

## FIELD REPLACEABLE UNITS (FRUs)

Item	Figure	FRU Part No.	Description	Qty Per Printer
26	3	046-00272-02	Mod5 ROM Card V7.09 <sup>9</sup>	1
		046-00273-03	Mod6 ROM Card V8.08 <sup>9</sup>	1
27	3	—	SIMM (purchased from distributor) <sup>13</sup>	—
28	2	001-00333-00	Contact, Earth Gnd	1
29	1,2,3	001-00452-00	Base Plate <sup>7</sup>	1
30	1	001-00453-02	Plate, Fuser, Paper Guide	1
31	1	002-00264-00	Housing, Ozone Filter, Plenum <sup>7</sup>	1
32	1	002-00265-00	Cover, Tractor Sensor	1
33	1	002-00266-00	Cover, Main Drive Assy	1
34	3	002-00267-00	Housing, Waste Toner Bottle <sup>7</sup>	1
35	4	002-00279-00	Latch, Developer Cartridge, Retaining, Green <sup>7</sup>	2
36	1	002-00339-00	Cover, Fuser, Black Felt <sup>7</sup>	1
37	1	009-00039-00	Enclosure, Right Side <sup>7</sup>	1
38	1	009-00041-00	Enclosure, Paper Door <sup>7</sup>	1
39	1,3	009-00042-01	Enclosure, Rear <sup>7</sup>	1
40	3	020-00097-00	Cable, Keypad	1
41	3	020-00102-00	Cable, Power Supply, Harness <sup>7</sup>	1
42	2, 3	020-00103-00	Cable, LSU <sup>14</sup>	1
43	3	020-00104-01	Cable, Video Board <sup>7</sup>	1
44	2	082-00112-00	Belt, Main Drive	1
45	5	082-00128-00	Actuator, OPC Drum Switch <sup>7</sup>	2
46	5	097-00059-00	Switch, OPC Drum <sup>7</sup>	2
47	2,5	107-00046-00	Fan, Ozone (included in Items 6 and 7) <sup>7</sup>	1
48	3	107-00049-00	Fan, Squirrel Cage	1

<sup>13</sup> Use a 1, 2, 4, or 8 Mbyte, 72-pin, 70-nanosecond IBM PX/2-compatible SIMM.

<sup>14</sup> See Item 62.

## FIELD REPLACEABLE UNITS (FRUs)

Item	Figure	FRU Part No.	Description	Qty Per Printer
49	5	116-00046-00	Fuse, 10A, ¼ x 1-¼ (120V supply F2) <sup>7</sup>	1
	5	116-00027-00	Fuse, 3.15A, 5mm x 20mm (240V supply F1) <sup>7</sup>	1
50	5	116-00047-00	Fuse, 6.3A, 5mm x 20mm (120V supply F1) <sup>7</sup>	1
	5	116-00101-00	Fuse, 4.0A, 5mm x 20mm (240V supply F2) <sup>7</sup>	1
51	2	021-00276-00	Latch Pin Assy, Top Cover, Right	1
52	2	035-00038-00	Overlay, Keypad	1
53	6	082-00173-01	Roller, Upper, Fuser	1
54	6	082-00187-01	Roller, Pressure	1
55	6	113-00116-00	Thermister, Fuser Assy.	1
56	6	116-00068-01	Lamp, Halogen, Heater, 115V	1
57	6	116-00069-01	Thermostat, Fuser Assy.	1
58	6	116-00070-01	Lamp, Halogen, Heater, 240V	1
59	7	043-00202-11	EPROM, Engine Ctrl V1.26( for Dbl-Sided PCB)	1
60	7	043-00310-09	EPROM, Engine Ctrl V10.39(for Sgl-Sided PCB)	1
61	3,7	046-00310-04	PCB, Controller (with EC EPROM; without RIP)	1
62	2, 3	046-00876-00	Kit, Foam/LSU Cable <sup>15</sup>	1
63	2	002-00333-00	Housing, Erase, LED Array	1
64	3	046-00274-10	PCB, Controller (with EC EPROM & M5 RIP)	1
65	3	046-00275-11	PCB, Controller (with EC EPROM & M6 RIP)	1
66	2	046-00338-00	Fuser (120 v) <sup>9,11</sup> with Rt-End Thermistor Option	1
67	2	046-00341-00	Fuser (240 v) <sup>9,11</sup> with Rt-End Thermistor Option	1
68	6	082-00177-00	Gear, Fuser Roller	1
69	6	082-00174-00	Gear, Fuser Drive	1
70	6	021-00313-01	Paper Exit Guide Assembly	1
71	2	021-00310-00	Assy, Corona Wire <sup>16</sup>	1

<sup>15</sup> Contains cable (Item 42) and spacer. Spacer protects cable from hinge.

<sup>16</sup> Include with item10.

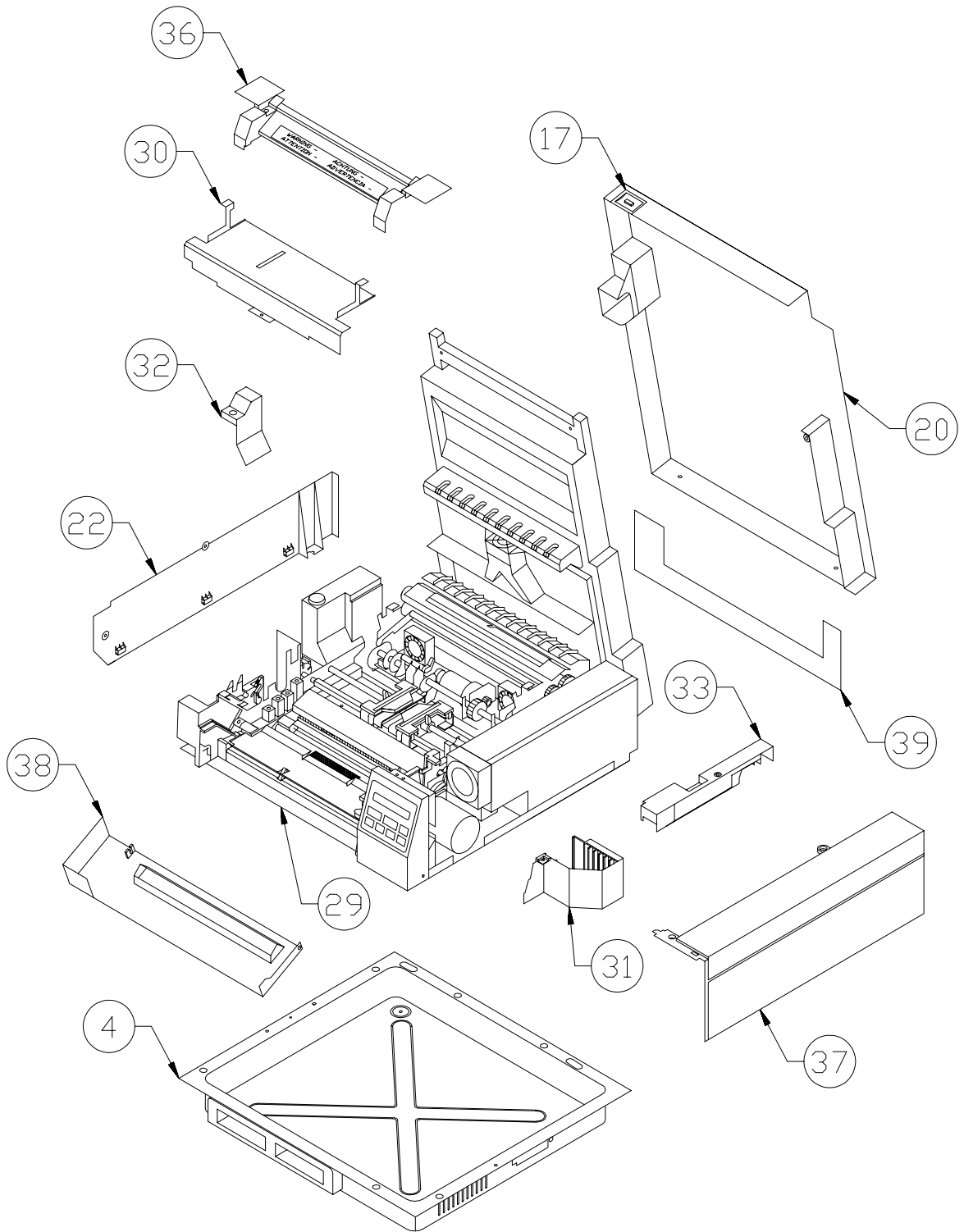
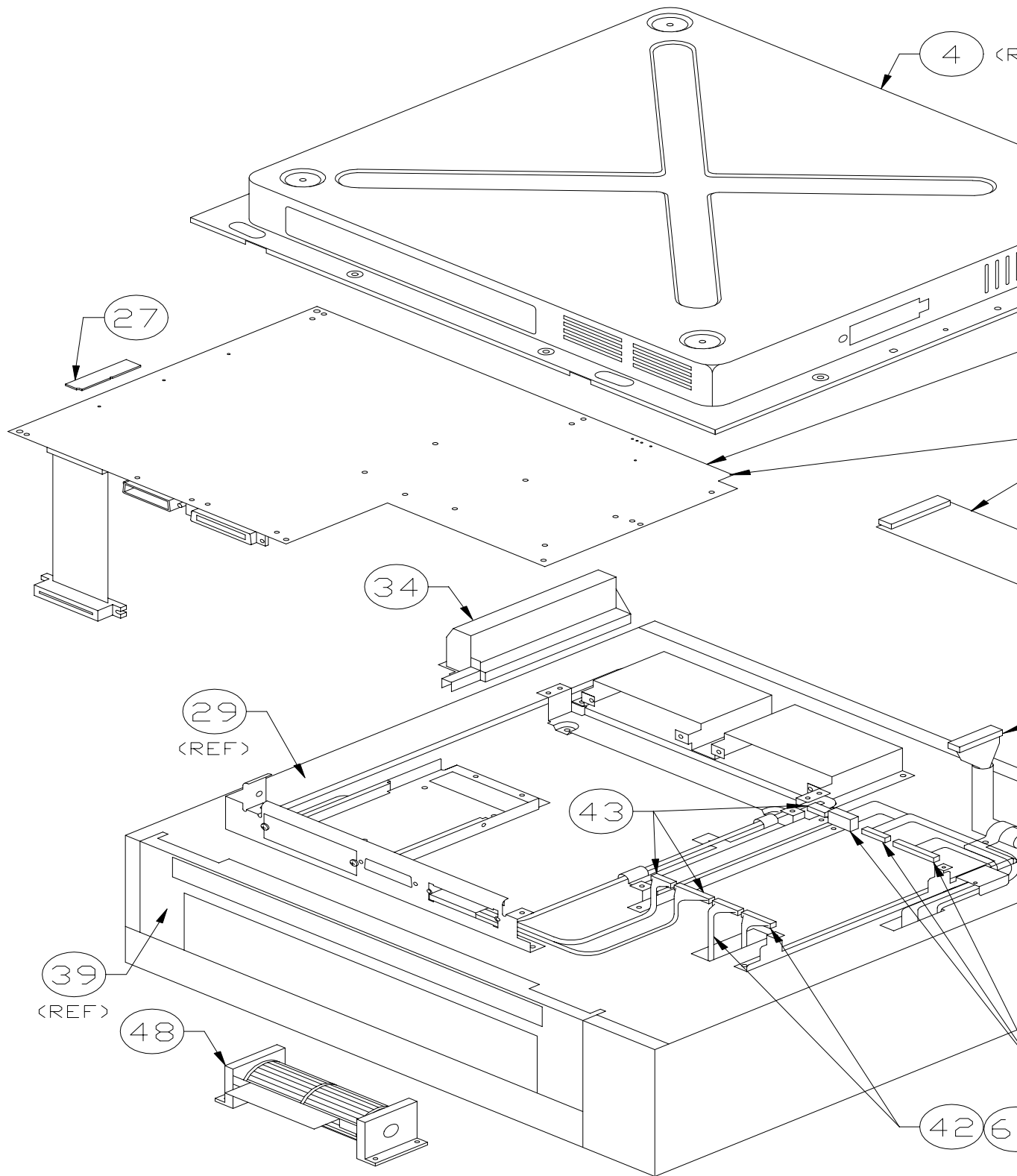


Figure 1. Panels and Covers

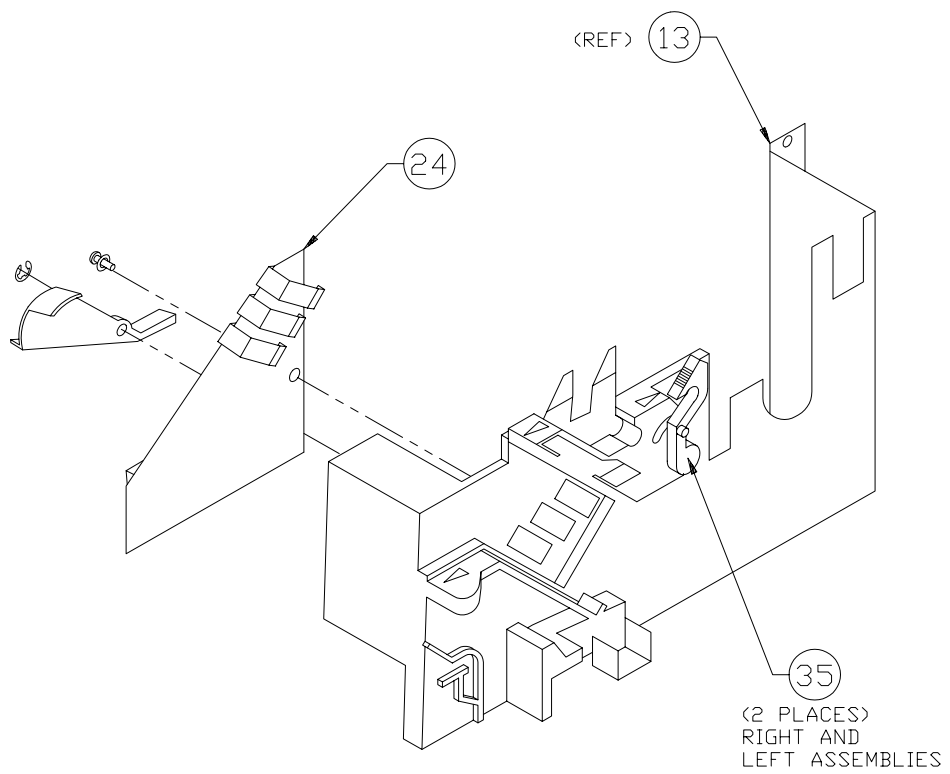
CD0-L





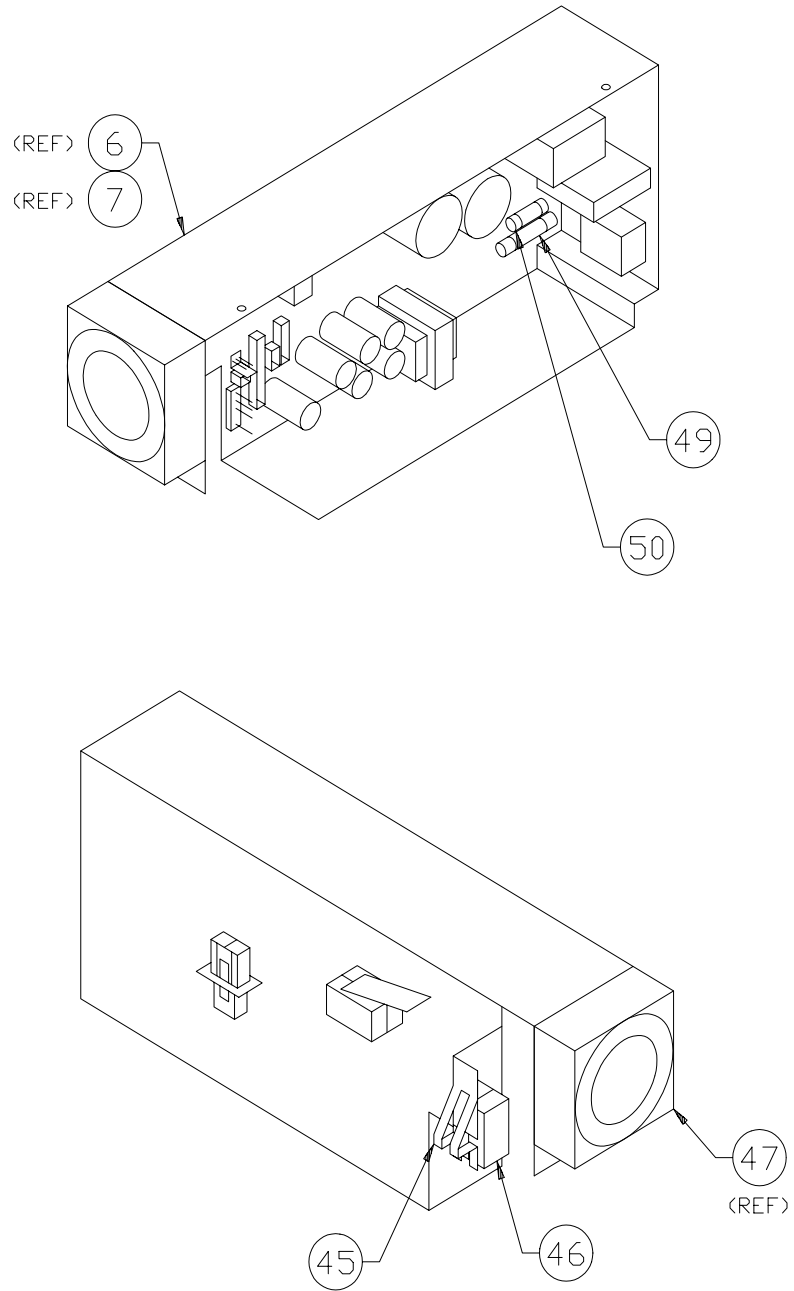
**Figure 3. FRU Parts and Assemblies (Bottom Side)**

CD0-N3



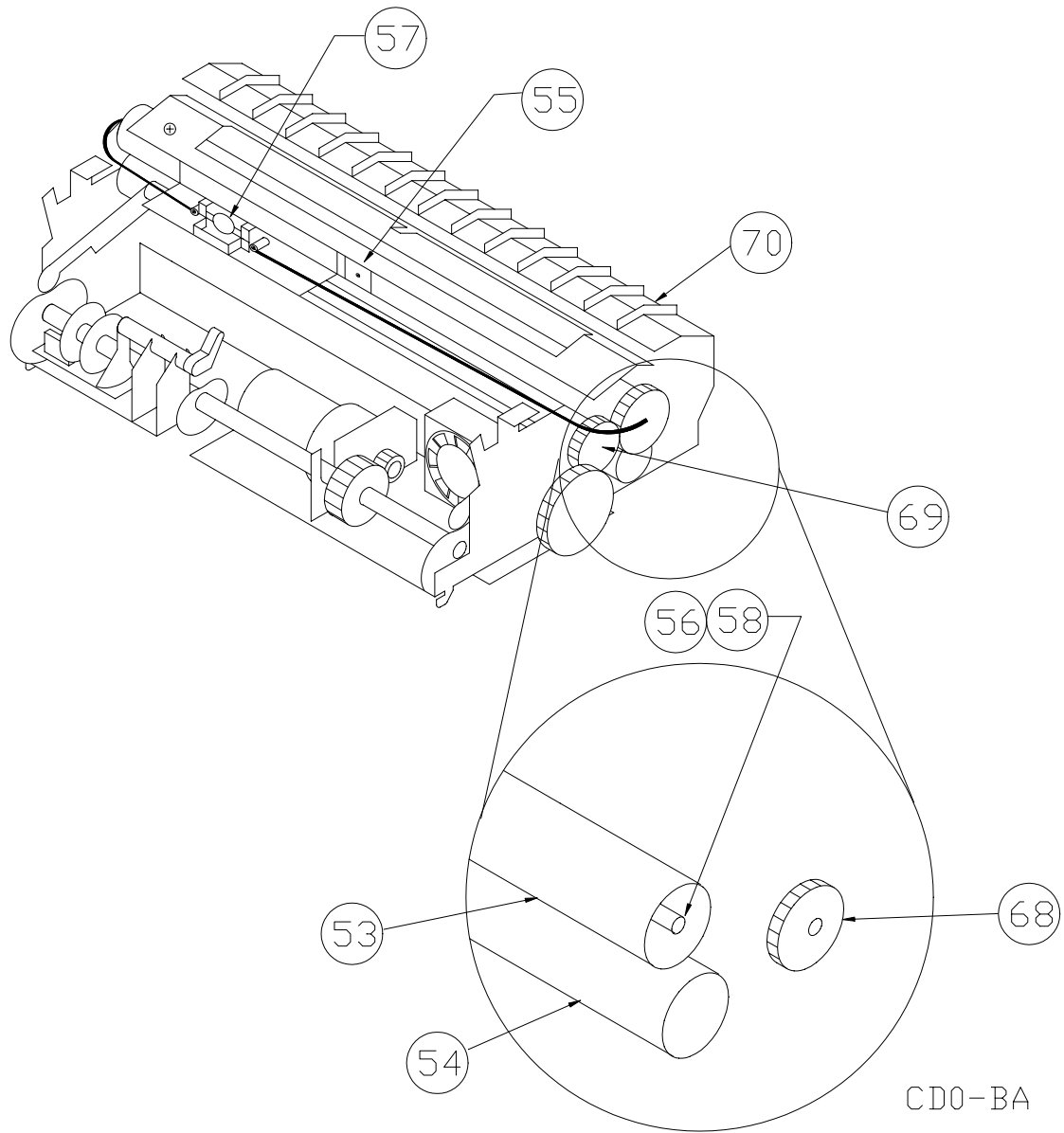
**Figure 4. Left Frame Assembly (Item 13), Detail**

CD0-01



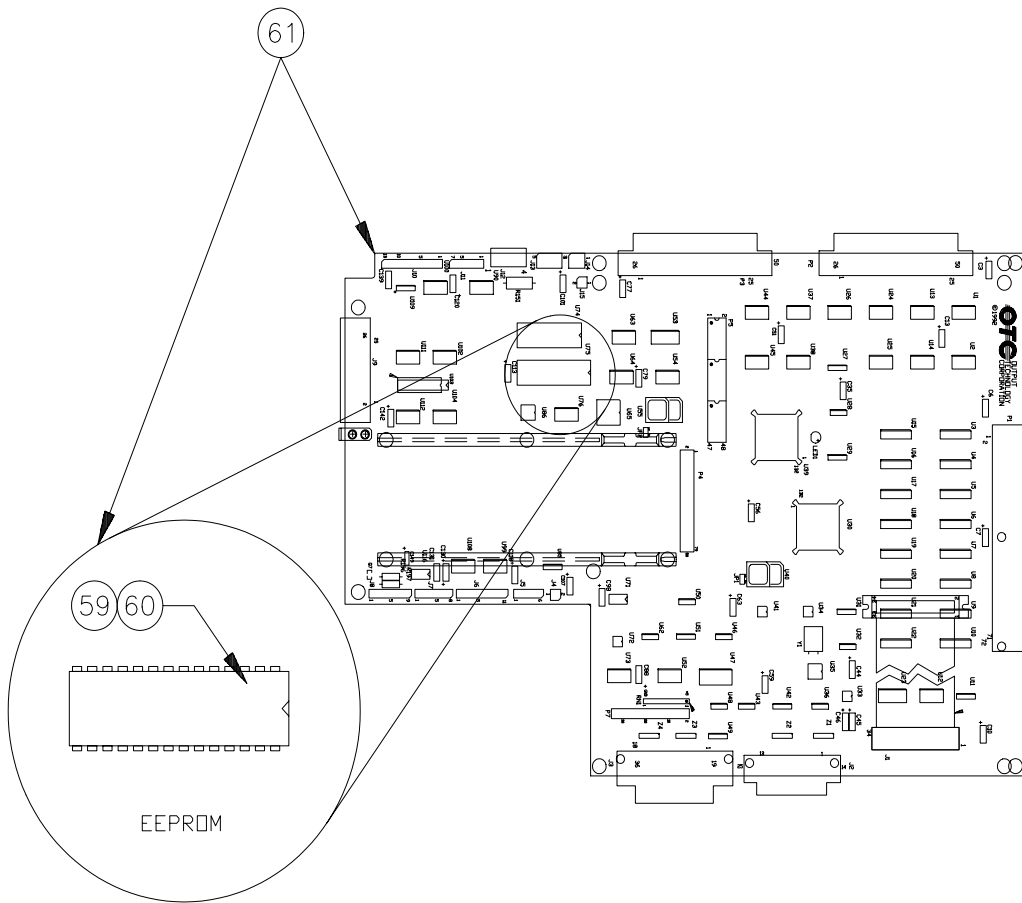
**Figure 5. Low Voltage Power Supply (Item 6/7), Detail**

CD0-P



**Figure 6. Fuser Assembly**

CD0-BA



**Figure 7. Controller PCB**

CD0-BB