

4200 Series (EuroLine®)

Replacement Parts Catalog



COPYRIGHT © 1993, OUTPUT TECHNOLOGY CORPORATION

All rights reserved. This document may not, in whole or in part, be copied, photocopied, reproduced, translated, reduced to any electronic medium or machine readable form without prior written consent from Output Technology Corporation.

TRADEMARKS

EuroLine is a registered trademark of Output Technology Corporation.

PARTS AND SERVICE

Contact Output Technology Corporation for parts and service. Have the model and serial numbers of your printer (located on the back of the machine) handy for faster service.

Output Technology Corporation
2310 North Fancher Road
Spokane, WA 99212-1381
USA

We suggest you use genuine Output Technology Corporation supplies and authorized service centers. Contact us at:

Voice: (509) 536-0468 — Fax: (509) 533-1280

Output Technology maintains a Bulletin Board System (BBS) service. In the U.S.A., call (509) 533-1217 to access our BBS service for the very latest, up-to-date drivers, firmware, pricing, maintenance and troubleshooting aids, and application information. Also, you can contact us at:

FTP: [ftp.output.com/public/output](ftp://ftp.output.com/public/output)

WWW: <http://www.output.com>

Part No.: 066-00389-00
Rev F

GENERAL

This catalog contains itemized lists of all servicing aids, supplies, expendables, and field replaceable parts for all 4200 EuroLine® models. Ordering information is provided for field replaceable units (FRUs). FRUs illustrated at the end of this publication.

Parts are listed in the following tables:

- Customer Replaceable Units (CRUs) and Miscellaneous, Page 2
- Field Service Tools, Page 3
- Field Replaceable Units (FRUs), Page 4

FRU illustrated parts breakdown drawings:

- Cabinet (Upper), Pages 8 and 9
- Cabinet (Lower), Page 10
- Power Receptacle, Page 10
- Printer Mechanism, Pages 11 and 12
- Printhead Carriage, Pages 13, 14, and 15
- Card Cage, Page 16
- Transformer Assembly, Page 17

ORDERING INFORMATION

To order a field replaceable unit (FRU), proceed as follows:

1. Find the appropriate FRU item number from the illustrations at the end of this publication.
2. From the FRU table on Page 4, match the FRU item number to the FRU part number.
3. Obtain the serial number of your printer (on the back of the printer).
4. If applicable, have your American Express, Visa or MasterCard number and expiration date ready, and then contact Output Technology Corporation by phone, fax, or mail:

2310 North Fancher Road
Spokane, WA 99212-1381
Phone: (509) 536-0468
Fax: (509) 533-1285

To order customer replaceable units (CRUs) or other miscellaneous items, select from the following table and then continue as directed in Step 4 on page 1.

CUSTOMER REPLACEABLE UNITS (CRUs) AND MISCELLANEOUS

Part Number	Description	Qty Per Printer
Customer Replaceable Units (CRUs)		
020-00148-XX	Cord, Power, UK	1 ¹
021-00343-XX	Printhead	2-4
021-00385-XX	Forms Compressor, Mylar - Assy	1
088-00001-XX	Cord, Power, Domestic	1 ¹
116-00027-XX	Fuse, 3.15A.	2 ¹
116-00089-XX	Fuse, 6.00A.	2
4240C100	Ribbon Cartridge, Model 400 (2-Pack)	1
4260C100	Ribbon Cartridge, Model 600 (2-Pack)	1
4280C100	Ribbon Cartridge, Model 800 (2-Pack)	1
Training and Publications		
046-00254-XX	Training Video (+ Supplement)	N/A
066-00163-XX	Manual, Maintenance	1
066-00164-XX	Guide, Installation & Reconfiguration	1 ¹
066-00165-XX	Guide, Operator's	1 ¹
066-00166-XX	Guide, Technical Reference	N/A
066-00188-XX	Twinax Interface Reference	1 ²
066-00189-XX	Coax Interface Reference	1 ²
066-00389-XX	Manual, Parts Catalog	N/A ³
066-00443-XX	Manual, Drawing Set	N/A ³
Shipping		
047-00019-XX	Ship Kit, Models 400 and 600	1 ⁴
047-00020-XX	Ship Kit, Model 800	1 ⁴

1 Depends on country configuration

2 Supplied with optional interface

3 Also available as part of Maintenance Manual 066-00163-01

4 Original shipping container or its replacement is required for proper shipment of printer.

FIELD SERVICE TOOLS

- Screwdrivers
 - #1 Straight slot
 - #2 Straight slot
 - #1 Phillips
 - #2 Phillips
- Hex Allen wrenches
 - 1/16", 3/32", 7/64", 9/64", 5/32", 3/32"
- Open end wrenches or sockets
 - 5/16", 1/4", 7/16", 1/2"
- Diagonal cutters
- Needle nose pliers
- C-ring and E-ring tools

FIELD REPLACEABLE UNITS (FRUs)

Item	Fig.	FRU Part No.	Description	Model		
				400	600	800
1	4	001-00055-XX	Shaft, Square Paper Drive	•	•	•
2	4a	001-00381-XX	Shaft, Carriage Idler Pulley	•	•	
3	1	046-00853-XX	Wire Form	•	•	
		046-00854-XX	Wire Form			•
4	4	001-00390-XX	Lever, Load Forms	•	•	•
5	1	001-00569-XX	Lever, Interlock Switch	•	•	•
5.5	4b	001-00633-XX	Shaft, Carriage Idler Pulley			•
6	4	001-00645-XX	Spring, Platen Cam Return	•	•	•
7	4b	001-00656-XX	Cover, Frame/Reader Strip			•
8	5a&b	002-00368-XX	Clamp, Carriage Belt	•	•	
9	5	002-00406-XX	Knob, Printhead Latch ¹	•	•	•
10	5b	002-00412-XX	Cover, Printhead Cable	•		
11	5b	002-00413-XX	Cover, Printhead Cable		•	
12	5b	002-00430-XX	Cover, Printhead Cable			•
13	5b	002-00432-XX	Clamp, Printhead Cable	•	•	
14	5c	002-00433-XX	Clamp, Printhead Cable			•
15	4	002-00436-XX	Bumper, Carriage Motion, right	•	•	•
16	5c	002-00449-XX	Clamp, Belt, Top-Half			•
17	5c	002-00450-XX	Clamp, Belt, Bottom-Half			•
17.5	4a	002-00579-XX	Seal, Tach Shaft ²	•	•	
18	1	005-00003-XX	Window, User Door	•	•	•
19	4	020-00035-XX	Cable Assy, Tach	•	•	•
20	6	020-00109-XX	Cable Assy, Serial Data	•	•	•
21	2&7	020-00110-XX	Cable Assy, Fan	•	•	•
22	—	020-00112-XX	Cable Assy, Sensor Harness ³	•	•	•
23	1	020-00114-XX	Cable Assy, Keyboard	•	•	•
24	6	020-00115-XX	Cable, DC Power Distribution	•	•	•
25	4	020-00122-XX	Sensor, Hall. Ribbon Motor	•	•	•
26	7	021-00086-XX	Thermistor, Assy, 6A	•	•	•
27	4a	021-00339-XX	Motor, Carriage - Assy	•	•	
28	7	021-00341-XX	Transformer	•	•	•
29	5	021-00343-XX	Printhead ⁴	•	•	•
29.5	1	021-00351-XX	Chain	•	•	•
30	2	021-00354-XX	Fan - Assy	•	•	•
31	4	021-00356-00	Motor, Line Feed - Assy	•	•	•
32	1	046-00334-00	Keyboard - Assy	•	•	•

1 Two per printhead.

2 Dust collar located in gap between carriage motor-tach assembly on older Model 400 and 600 printers.

3 Cable harness for all interlocks and sensors.

4 Two for Model 400; three for Model 600; four for Model 800.

FRUs (Continued)

Item	Fig.	FRU Part No.	Description	Model		
				400	600	800
33	4	021-00385-XX	Forms Compressor, Mylar - Assy	•	•	•
34	-	021-00386-XX	Keyboard, Twinax ⁵	•	•	•
35	-	021-00387-XX	Keyboard, Coax	•	•	
36	4b	046-00309-XX	Kit, Mechanism ⁶			•
37	4b	021-00449-XX	Motor, Carriage - Assy			•
39	4a	046-00308-XX	Kit, Mechanism ⁶		•	
40	4a	046-00307-XX	Kit, Mechanism ⁶	•		
41	4b	021-00513-XX	Wiper, Linear Scale			•
42	5c	021-00517-XX	Cable Set, Printhead (4 Cables)			•
43	5a&b	021-00518-XX	Cable Set, Printhead (2 Cables)	•		
44	5a&b	021-00519-XX	Cable Set, Printhead (3 Cables)		•	
45	5c	021-00523-XX	Linear Encoder			•
46	4b	021-00524-XX	Sensor, Encoder - Assy			•
47	-	022-00048-XX	Coax Option ⁷	•	•	•
48	-	022-00052-XX	Twinax Option ⁷	•	•	•
49	1	036-00147-XX	Label, User Menu	•	•	•
50	6	040-00082-XX	PWB, DC Power Distribution	•	•	•
51	6	040-00128-XX	PCB, Motor Driver			•
52	1	043-00040-XX	EPROM, Serial Interface, V3.04	•	•	•
53	1	043-00151-XX	EPROM, Motor Control, V3.01 ⁸		•	
54	1	043-00152-XX	EPROM, Digital Set, V3.30 ⁹		•	
55	1	043-00157-XX	EPROM, Motor Control, V3.01 ⁸	•		
56	1	043-00158-XX	EPROM, Digital Set, V3.30 ⁹	•		
57	1	043-00208-XX	EPROM, Digital Set, V3.30 ⁹			•
58	1	043-00242-XX	EPROM, Motor Control, V3.01 ⁸			•
58.1	1	043-00312-XX	EPROM, Digital Set, V3.30 ¹⁰		•	
58.2	1	043-00313-XX	EPROM, Digital Set, V3.30 ¹⁰	•		
58.3	1	043-00314-XX	EPROM, Digital Set, V3.30 ¹⁰			•
58.4	1	043-00324-XX	EPROM, Motor Control, V1.10 ⁸		•	
58.5	1	043-00325-XX	EPROM, Motor Control, V1.10 ⁸	•		
58.6	1	043-00326-XX	EPROM, Motor Control, V1.10 ⁸			•

5 Available with optional interface. (See 022-00048-00 or 022-00052-00.)

6 Complete mechanical mechanism including printhead carriage assembly, but without printheads or printhead cables.

7 Optional interface.

8 When replacing a motor controller EPROM, first check the revision level of the digital EPROMS. If the Model 800, 600, or 400 digital EPROMS are versions V2.01 and later, use motor controller EPROM 043-00242-02, 043-00151-06, or 043-00157-05 (for Model 800, 600, or 400, respectively). Earlier Model 800, 600, or 400 digital EPROMS (prior to V2.01) use motor controller EPROM 043-00326-XX, 043-00324-XX, or 043-00325-XX (for Model 800, 600, or 400, respectively).

9 Set of four programmed EPROMs using 64K x 8 bit EPROM. Older versions of 046-00242-01 use 64K x 8 bit EPROMS only.

10 Set of two programmed EPROMs using 128K x 8 bit EPROMS. 046-00242-02 can use either two 128K x 8 bit EPROMS or four 64K x 8 bit EPROMS.

FRUs (Continued)

Item	Fig.	FRU Part No.	Description	Model		
				400	600	800
58.9	4	046-00210-XX	Tractors, Right & Left, W/O sensor	•	•	•
59	6	046-00211-XX	PCB, Motor Driver	•	•	•
60	6	046-00212-XX	PCB, Printhead Driver ¹¹	•	•	•
61	1	046-00215-XX	PCB, Serial	•	•	•
62	4	046-00216-XX	Switch, Paper Out - Assy ¹²	•	•	•
63	1	046-00242-XX	PCB, Digital - Assy ¹³	•	•	•
64	4	046-00251-XX	Tractor Set, W/Sensor ¹⁴	•	•	•
64.5	5a&b	046-00257-XX	Carriage, Printhead - Assy ¹⁵	•	•	•
64.6	5a&b	046-00258-XX	Carriage, Printhead - Assy ¹⁵	•	•	•
65	4	046-00265-XX	Motor, Ribbon - Kit ¹⁶	•	•	•
66	5c	046-00281-XX	Carriage, Printhead - Assy ¹⁵	•	•	•
67	6	046-00282-XX	Cage, Card ¹⁷	•	•	•
68	4b	046-00295-XX	Carriage Idler Pulley - Kit ¹⁸	•	•	•
69	4a	046-00302-XX	Carriage Idler Pulley - Kit ¹⁹	•	•	•
70	4	046-00303-XX	Lever, Adjustment, Platen ²⁰	•	•	•
70.3	—	046-00329-XX	Platen Cams ²¹	•	•	•
70.5	1a	046-00875-XX	Cabinet Top	•	•	•
71	4a	072-00037-XX	Washer, Carriage Idler Pulley	•	•	•
72	4	082-00036-XX	Pulley, Line Feed Motor	•	•	•
73	4	082-00036-XX	Pulley, Line Feed Shaft	•	•	•
74	4	082-00211-XX	Belt, Line Feed	•	•	•
75	1	082-00280-XX	Gas Shock	•	•	•
76	1	082-00215-XX	Stud, Gas Shock Mounting	•	•	•
77	2	082-00224-XX	Handle, Door	•	•	•
78	2	082-00225-XX	Casters, Stand ²²	•	•	•
79	2	082-00226-XX	Cabinet Glide ²²	•	•	•
81	4	082-00241-XX	Spring, Forms Compressor	•	•	•
82	4a	082-00246-XX	Spring, Carriage Idler	•	•	•
83	4a	082-00247-XX	Pulley, Carriage Idler	•	•	•
83.5	4b	046-00295-XX	Pulley, Carriage Idler	•	•	•

11 One per printhead.

12 Consists of a bracket, a spherical actuator, and a switch (same switch as 097-00027-02).

13 Includes Motor Control and Digital PCBs without EPROMs. See 043s for EPROMs.

14 Includes right tractor and left tractor with sensor.

15 Includes belt. Does not include printheads.

16 Includes motor, drive sleeve, sensor (020-00122-00), bracket, and alignment tool.

17 Includes cage, power distribution cable, and power distribution PCB. Does not include printhead driver and motor driver PCBs.

18 Includes bracket, pulley, pulley shaft, and washers.

19 Includes pulley, pulley shaft, and washers.

20 Includes lever, detent, and spring. Does not include clamping screw.

21 Contains right and left platen cams, cam followers, hardware, and instructions.

22 Four per printer.

FRUs (Continued)

Item	Fig.	FRU Part No.	Description	Model		
				400	600	800
84	5c	082-00283-XX	Belt, Carriage			•
85	4b	082-00293-XX	Brush, Linear Scale ²³			•
86	4b	082-00313-XX	Spring, Carriage Idler			•
86.5	3	097-00018-XX	Fuse Carrier, Domestic (EMI Filter)	•	•	•
87	3	097-00023-XX	Fuse Carrier, Intl. (EMI Filter)	•	•	•
88	4	097-00027-XX	Switch, Paper Load Lever ²⁴	•	•	•
89	2	097-00031-XX	Switch, Rocker, Power	•	•	•
90	7	097-00077-XX	Cap, Starting, Inlet, Blower	•	•	•
91	1	097-00080-XX	Switch, Interlock	•	•	•
92	3	107-00024-XX	EMI Filter ²⁵	•	•	•
93	7	110-00029-XX	Rectifier, Bridge	•	•	•
94	3	116-00027-XX	Fuse, 3.15A. (International) ²⁶	•	•	•
95	3	116-00089-XX	Fuse, 6.00A. (Domestic) ²⁶	•	•	•
96	1	120-00191-XX	NVRAM, 24-Pin	•	•	•

23 Two per Model 800 printer.

24 This same switch is also used on 046-00216-00 except with a straight lever arm.

25 Includes filter, domestic fuse carriers, and 6.00A. domestic fuses.

26 Use 6.00A. slow-blow fuse (1st x 2nd) with 100 Vac or 120 Vac; use 3.15A. time delay fuse (5 mm x 20 mm) with 220 Vac or 240 Vac.

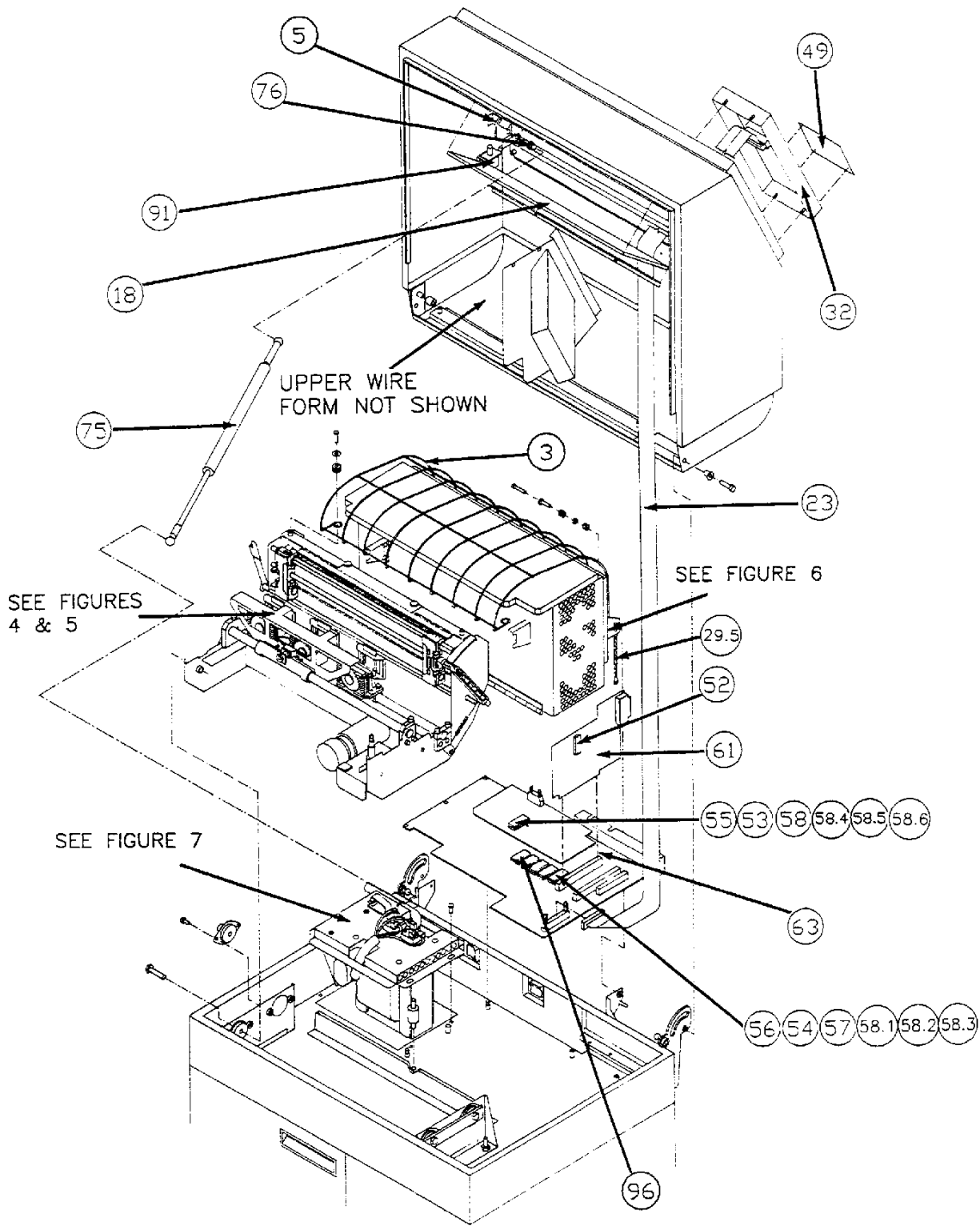
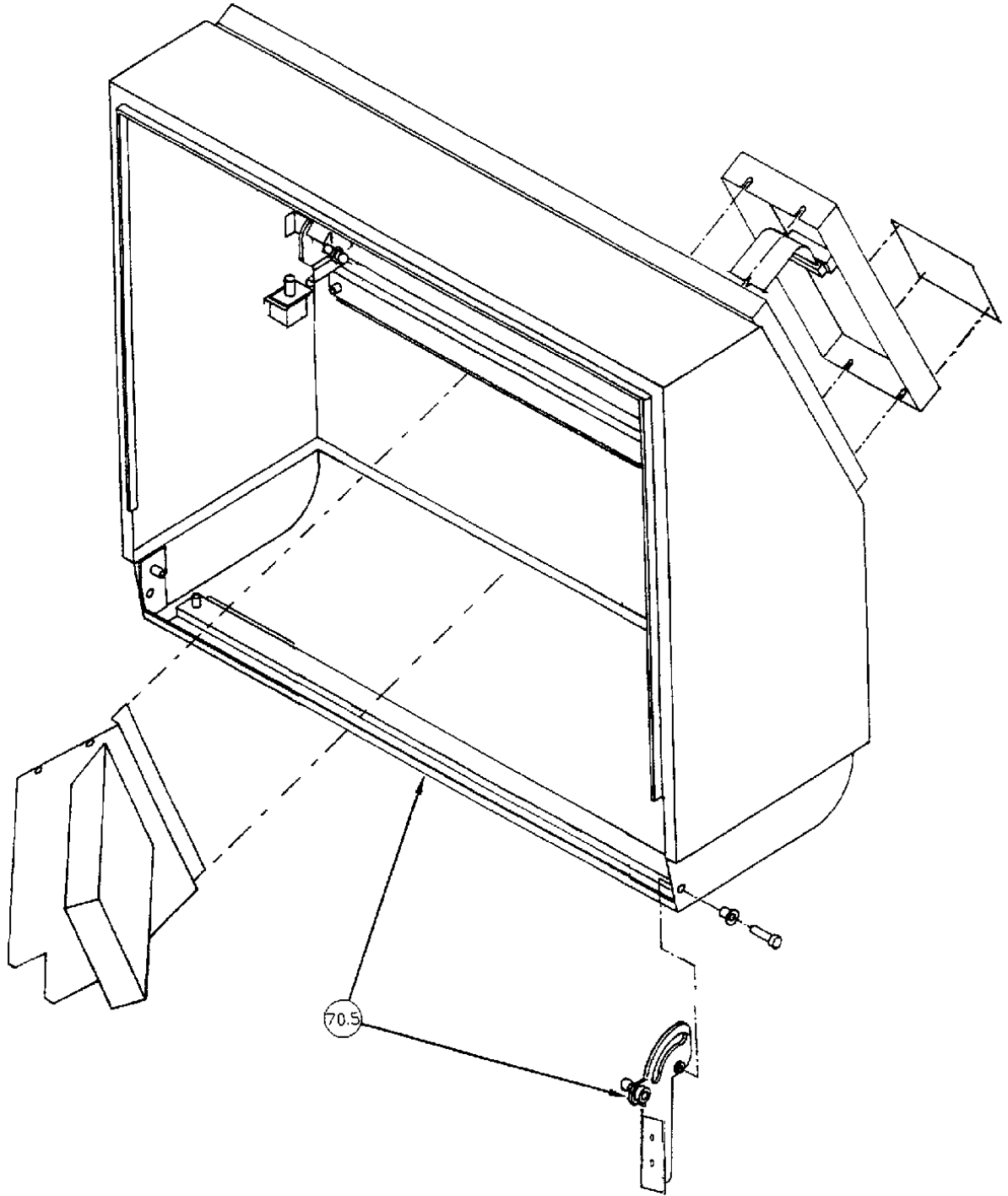


Figure 1. Cabinet (Upper) DDO-Y3



Note: Cabinet top does not include the control panel, holder for the operator's guide, and hardware (except for the bracket) for attaching the cabinet top to the cabinet base.

Figure 1a. Cabinet Top DD0-DA

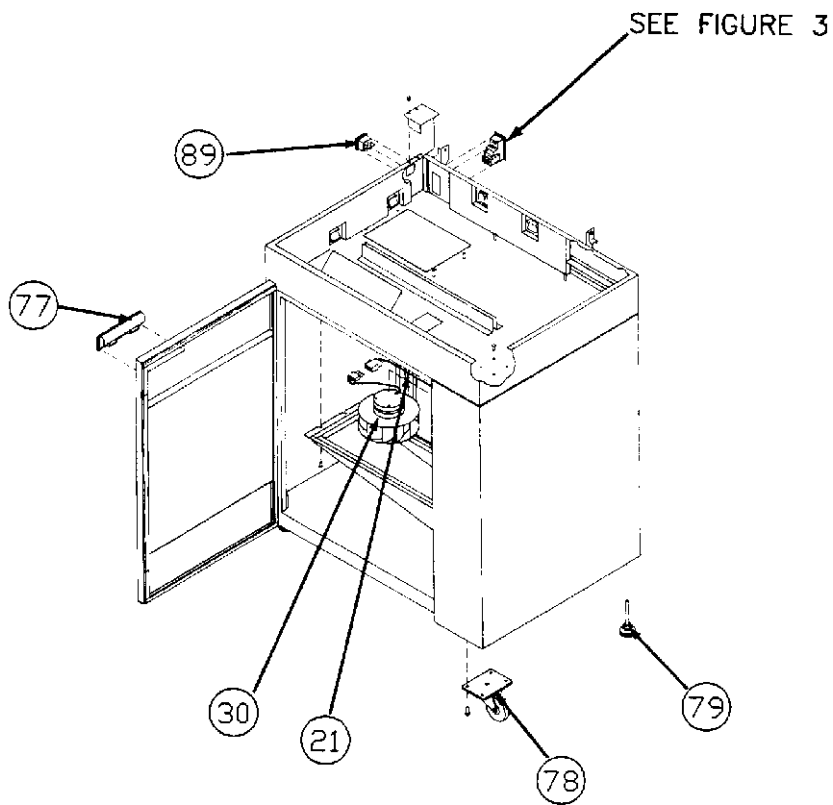


Figure 2. Cabinet (Lower)

DD0-Z1

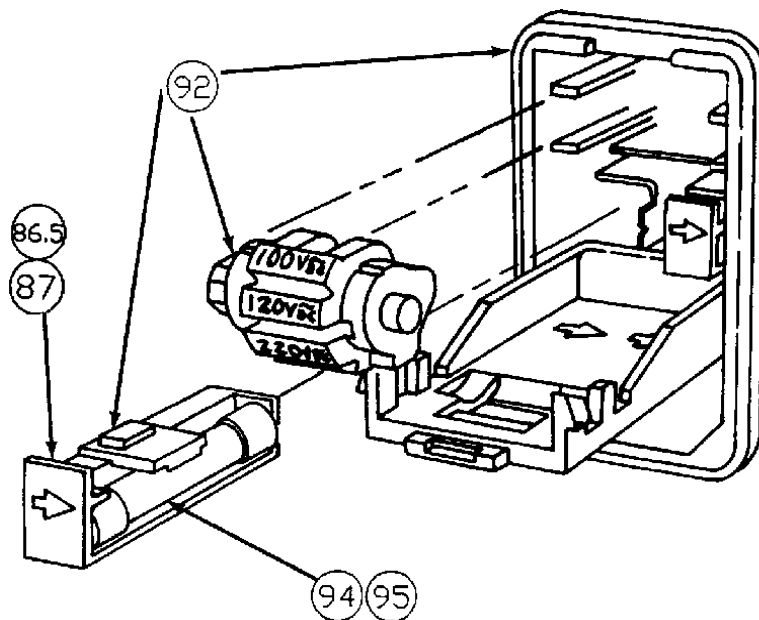


Figure 3. Power Receptacle (EMI Filter)

DD0-AA1

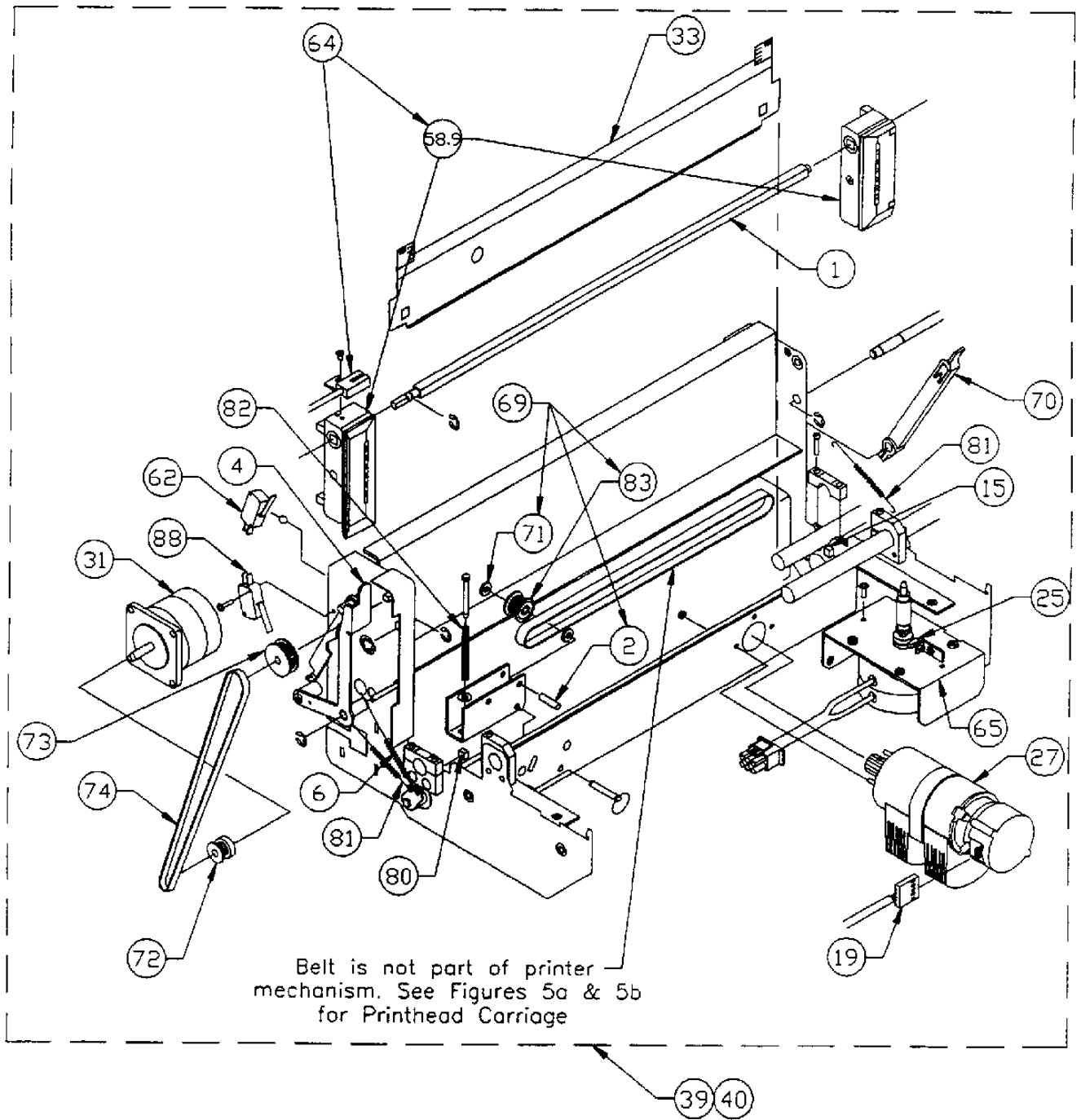


Figure 4a. Printer Mechanism (021-00507-00 & 021-00509-00)

DD0-AB3

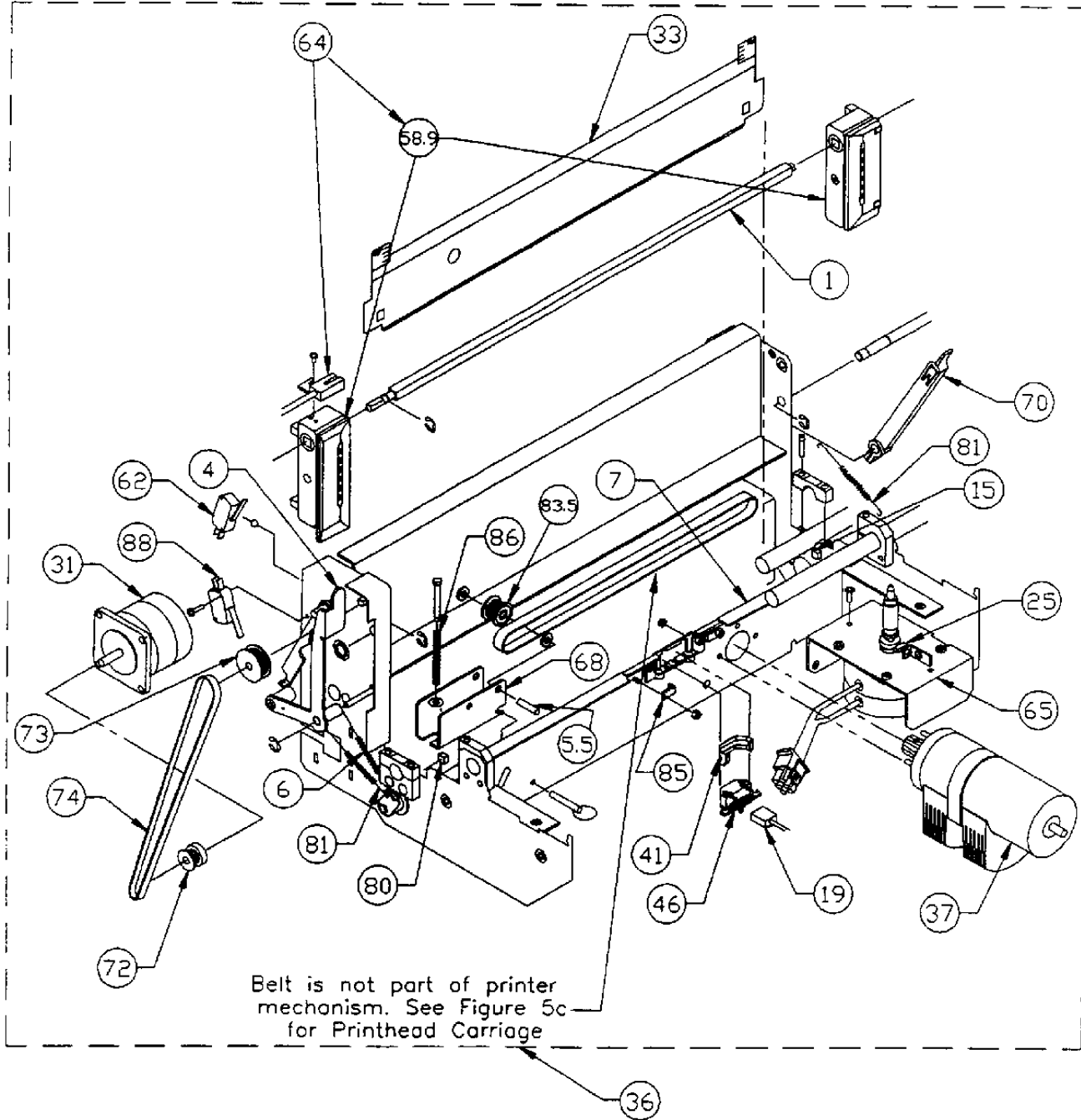
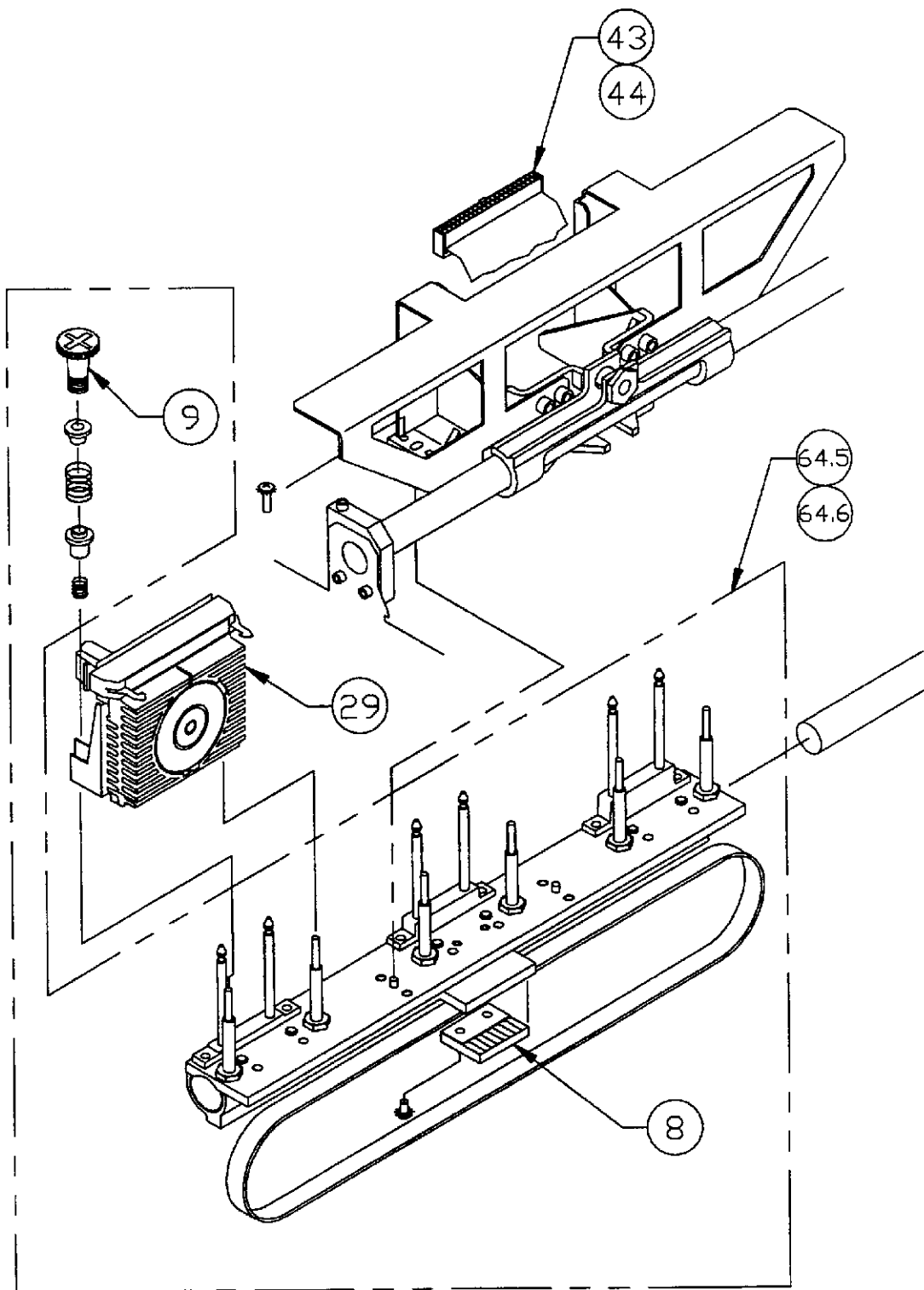


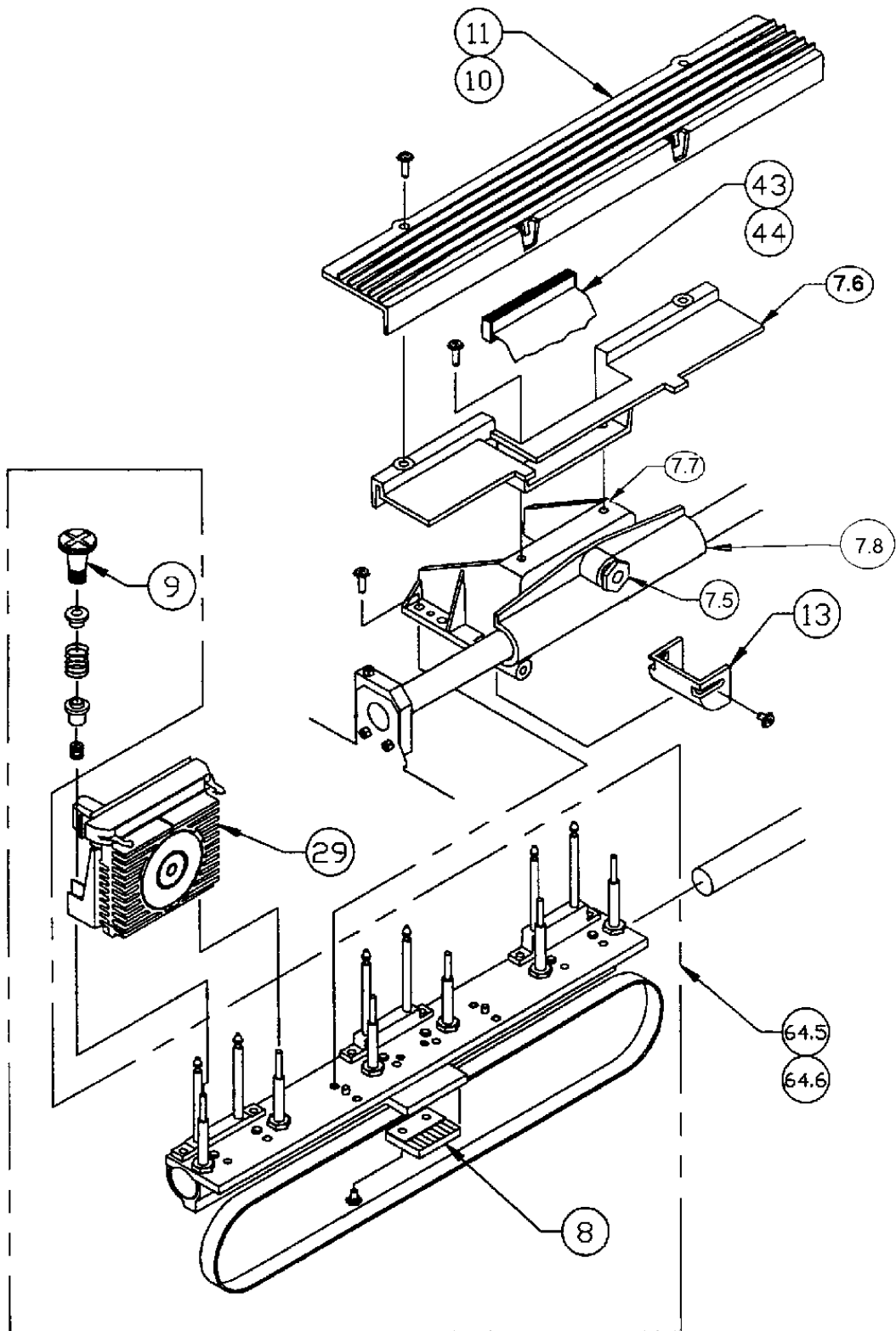
Figure 4b. Printer Mechanism (021-00447-01)

DD0-BA2



Note: This illustration shows a printhead carriage for a Model 600, which is a three-printhead printer. Item numbers are also included in this illustration for a Model 400, which is a two-printhead printer.

Figure 5a. Printhead Carriage DD0-AC1



Note: This illustration shows a printhead carriage for a Model 600, which is a three-printhead printer. Item numbers are also included in this illustration for a Model 400, which is a two-printhead printer.

Figure 5b. Printhead Carriage DD0-BB

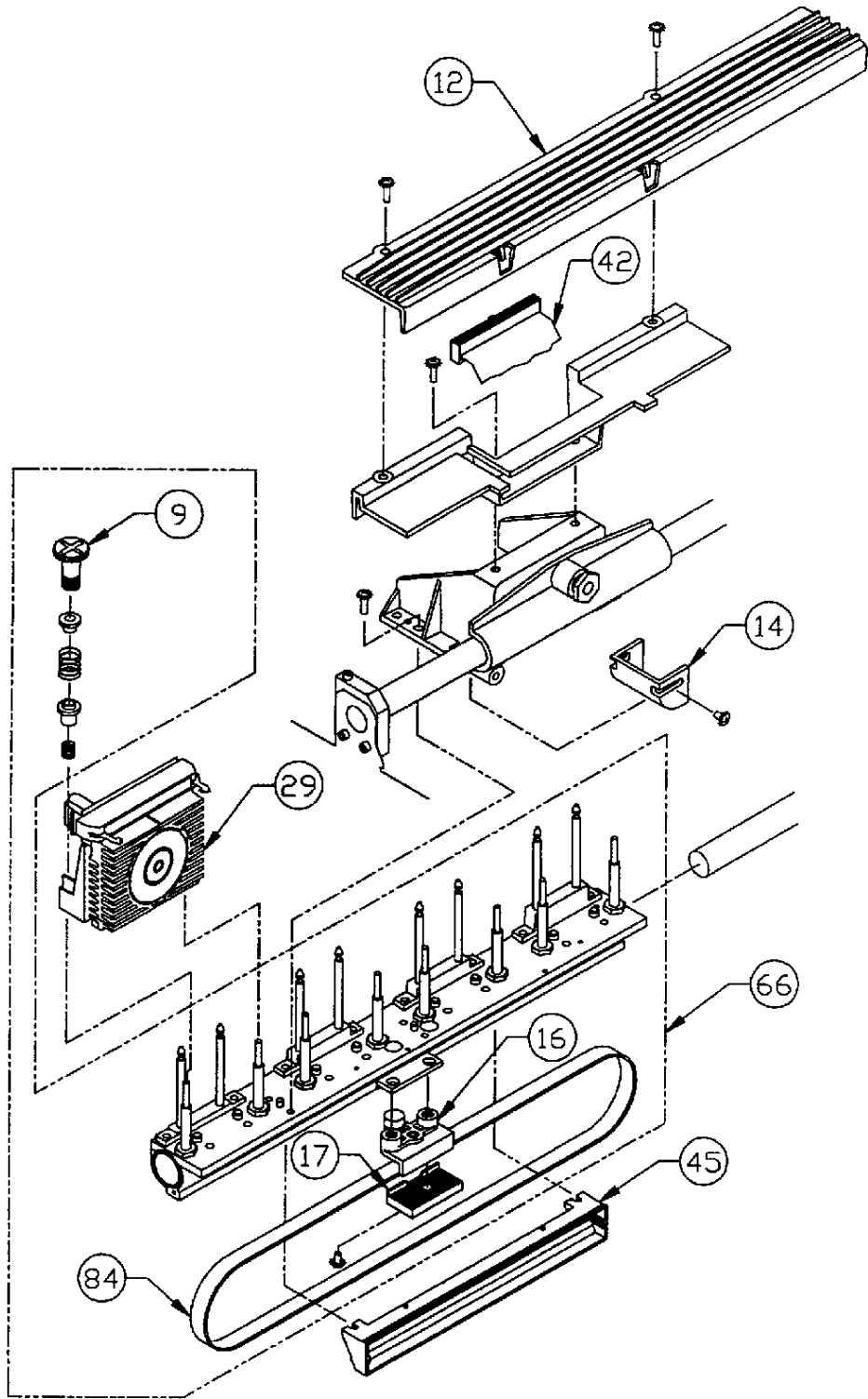
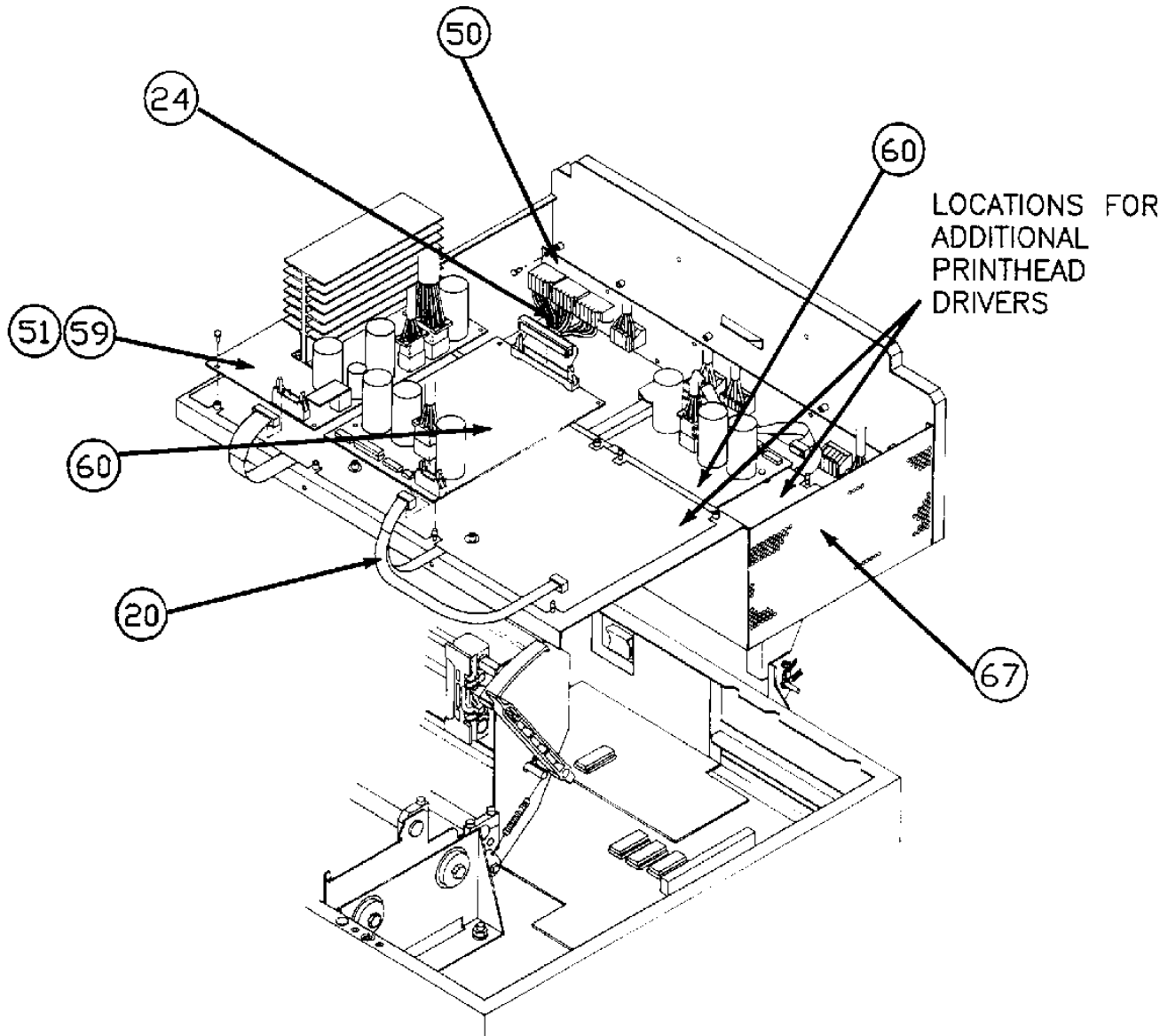


Figure 5c. Printhead Carriage (Model 800)

DD0-BC



Note: Illustration shows the card cage for a Model 400. Card cages, cards, and cables are similar for Models 600 and 800. Item numbers are included for all models.

Figure 6. Card Cage DD0-AD1

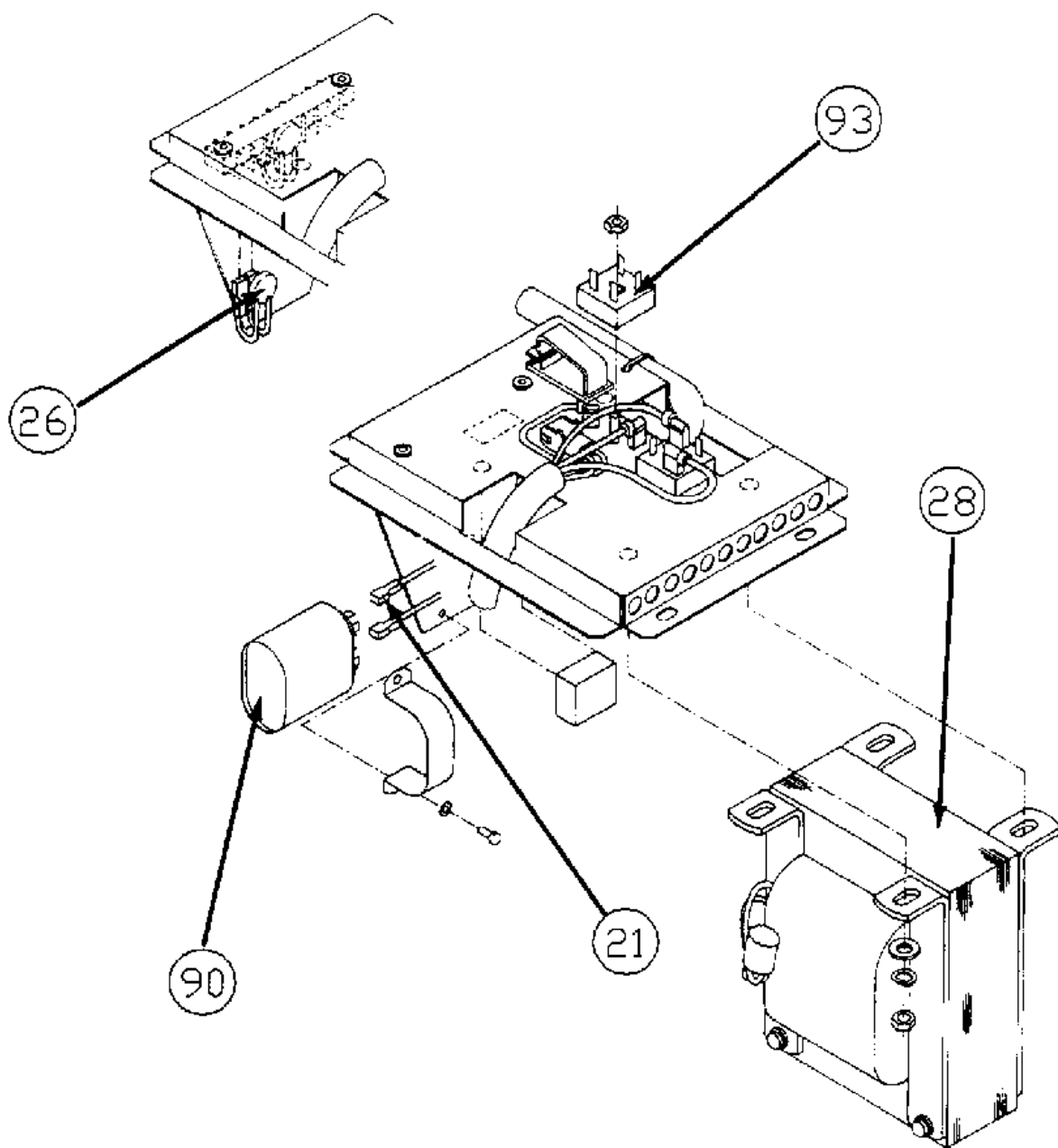


Figure 7. Transformer Assembly

DD0-AE1